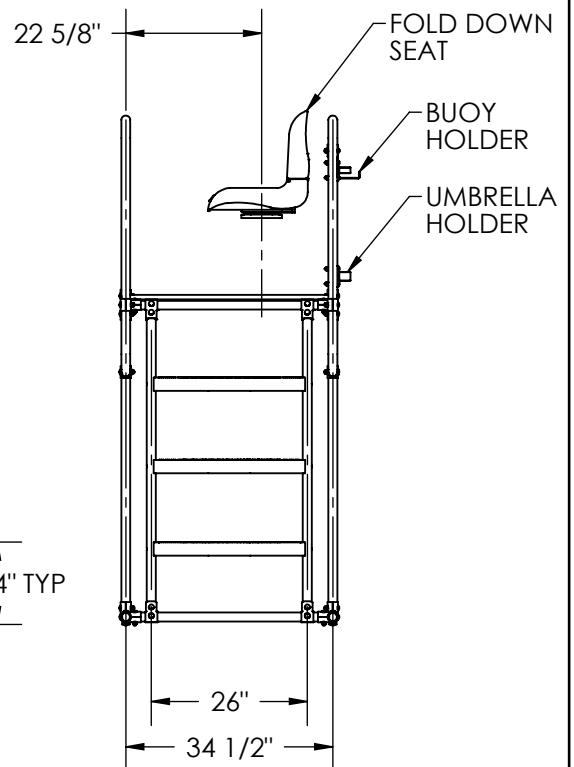
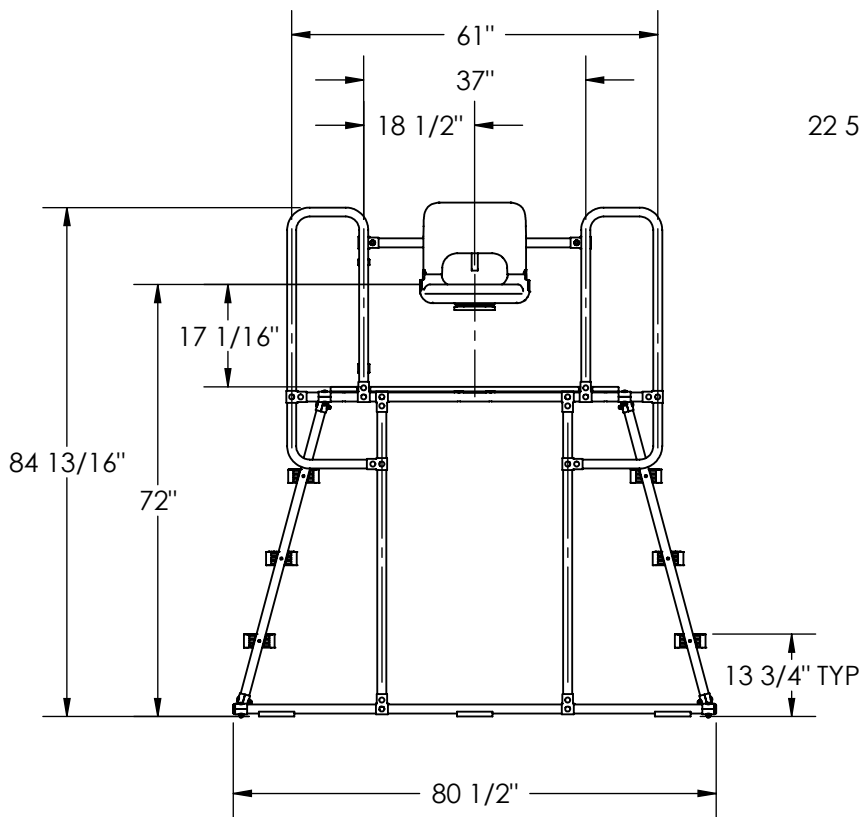


**GUARDIAN SERIES
MODEL - HILGARD 6'**



NOTE:

**DIMENSIONS VARY WITH SPECIFIC APPLICATIONS.
SPECIFICATIONS ARE NOMINAL AND ARE SUBJECT TO CHANGE.
PLEASE CONTACT SPECTUM PRODUCTS FOR CUSTOM APPLICATIONS.**



7100 Spectrum Lane
Missoula, Montana 59808
406.542.9781 * 800.791.8056
Fax: 406.542.1158
www.spectrumproducts.com

ENGINEERING DATA

PRODUCT:	HILGARD 6'
PRODUCT #:	20121
REVISION:	A
MATERIAL:	304 SERIES STAINLESS STEEL