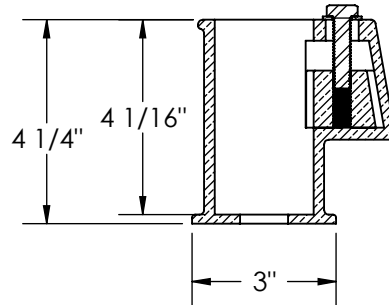
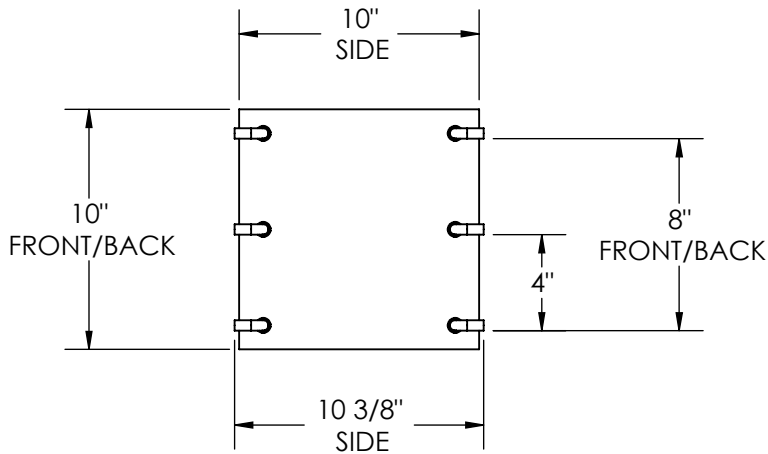
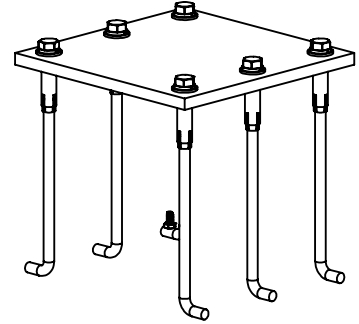
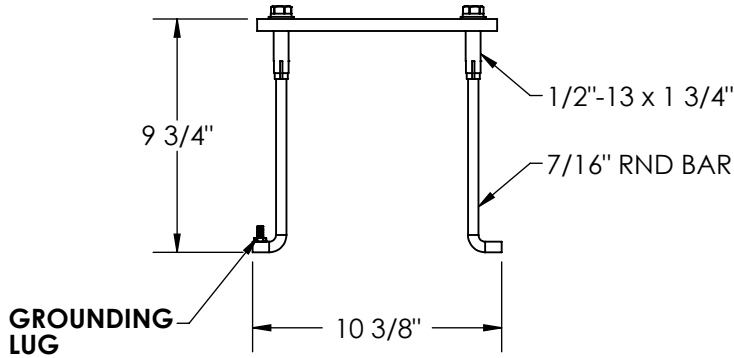
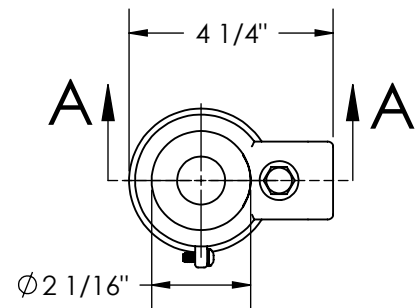
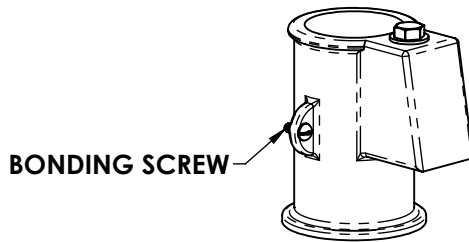


ANCHORS AND ACCESSORIES MODEL - HYALITE ANCHOR KIT



**SECTION A-A
SCALE 1 : 4**



NOTE:

1 **DIMENSIONS VARY WITH SPECIFIC APPLICATIONS.
SPECIFICATIONS ARE NOMINAL AND ARE SUBJECT TO CHANGE.
PLEASE CONTACT SPECTRUM PRODUCTS FOR CUSTOM APPLICATIONS.**

SPECTRUM
Products

7100 Spectrum Lane
Missoula, Montana 59808
406.542.9781 * 800.791.8056
Fax: 406.542.1158
www.spectrumproducts.com

ENGINEERING DATA

PRODUCT:	HYALITE ANCHOR KIT
PRODUCT #:	20013-00
REVISION:	A
MATERIAL:	304 SERIES STAINLESS STEEL