

**Lifeguard chair, 3-Foot Mendota,  
part number 42022**

**Specifications:**

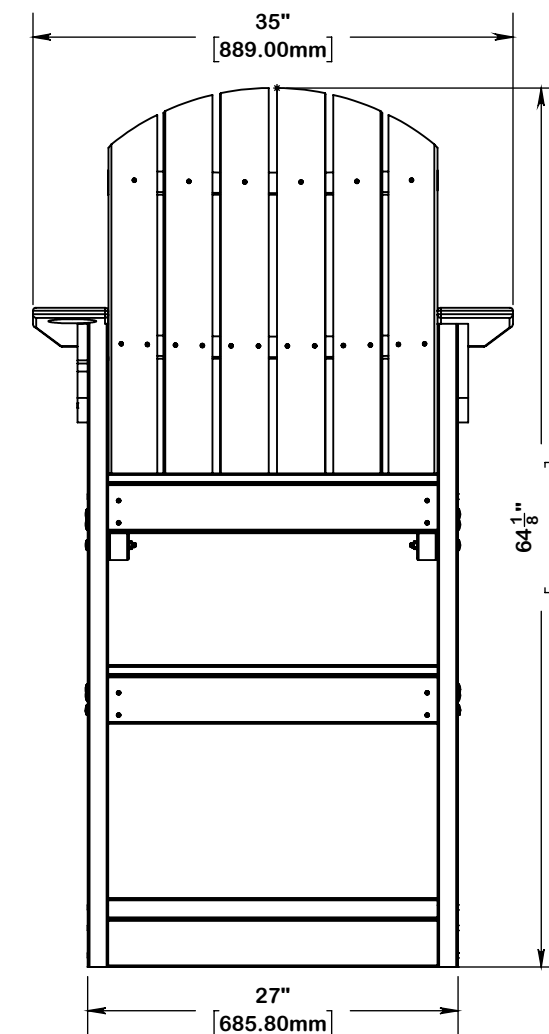
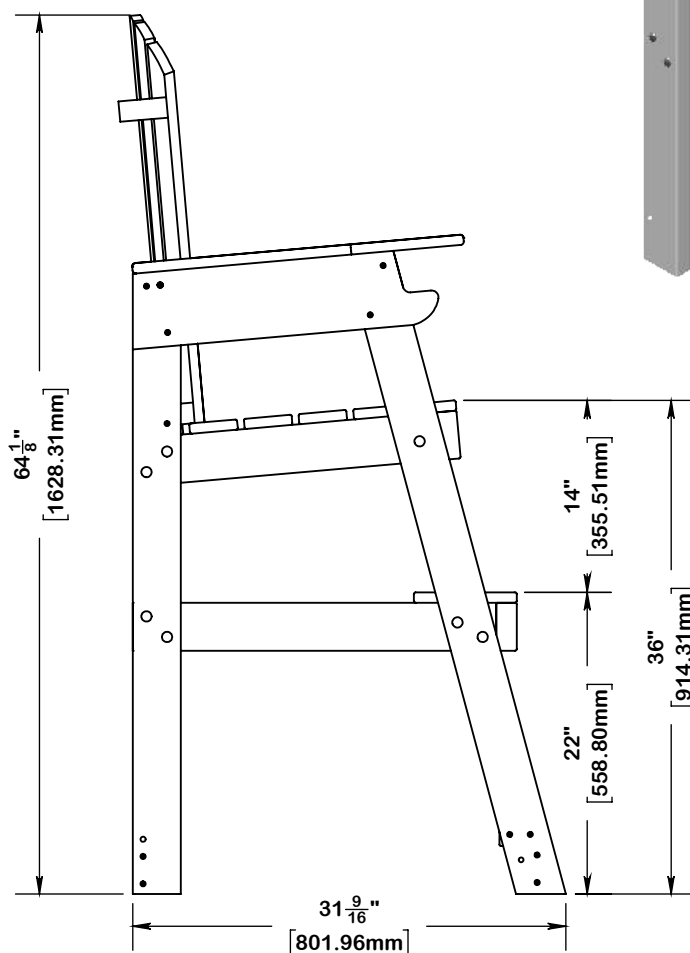
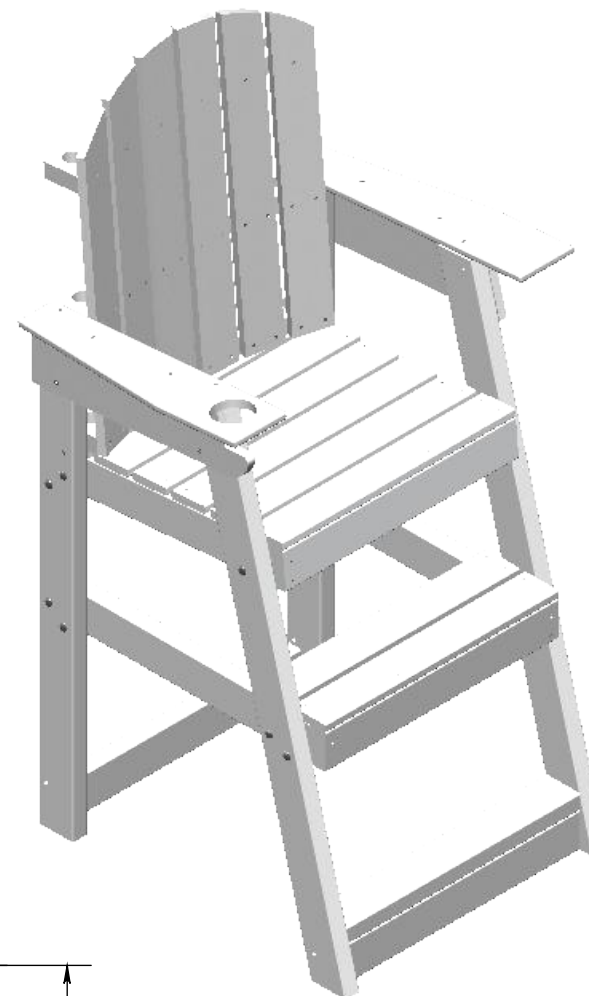
The Mendota lifeguard chair shall be portable. The chair shall be constructed of UV inhibited recycled high-density polyethylene material. The chair seat shall be elevated 3' 0" above the surface of the swimming pool deck. The chair shall include a cup holder in one of the armrests and an umbrella holder behind the back of the seat.

**Lifeguard Chair Frame**

The lifeguard chair frame shall be fabricated of high-density polyethylene material. All joints shall be secured using 316 series stainless steel through bolts and 316 series stainless steel wood screws. The lifeguard chair includes one step and one platform for access. Standard colors available in white and sand.

**Warranty**

Spectrum Standard.



A PLAYCORE Company

7100 Spectrum Lane Missoula, Montana 59808  
800.791.8056 www.spectrumaquatics.com

**ENGINEERING DATA**

PRODUCT:	3'-0" MENDOTA -			
MODEL #:	42022	CATALOG #:	42022	REVISION: E
MATERIAL:	RECYCLED HDPE			
FINISH #:	WHITE OR SAND			

**NOTE:**

**⚠ DIMENSIONS VARY WITH SPECIFIC APPLICATIONS. SPECIFICATIONS ARE NOMINAL AND ARE SUBJECT TO CHANGE. PLEASE CONTACT SPECTRUM AQUATICS FOR CUSTOM APPLICATIONS**