

Lifeguard platform Hilgard, part number 20121

The lifeguard platform shall consist of the following components:

Lifeguard Platform Frame

The lifeguard platform frame is to be fabricated of 1.50" O.D. x 0.083" wall thickness 316 series stainless steel.

Footboard

A marine plywood footboard shall be provided with the lifeguard platform. The footboard shall be 36" x 57". The footboard shall be coated with a two part polyurethane/polyurea for traction and weather protection.

Seat Post

The Column and Seat Post shall be fabricated from 3" round x .109" wall thickness 304 series stainless steel. Each shall be flanged to receive respective mounting devices.

Steps

A total of four (4), straight step treads shall be provided, two (2) for each side. They shall be 26" wide, have an integral non-slip top surface, and shall be injection molded using U.V. stabilized ABS plastic.

Seat Assembly

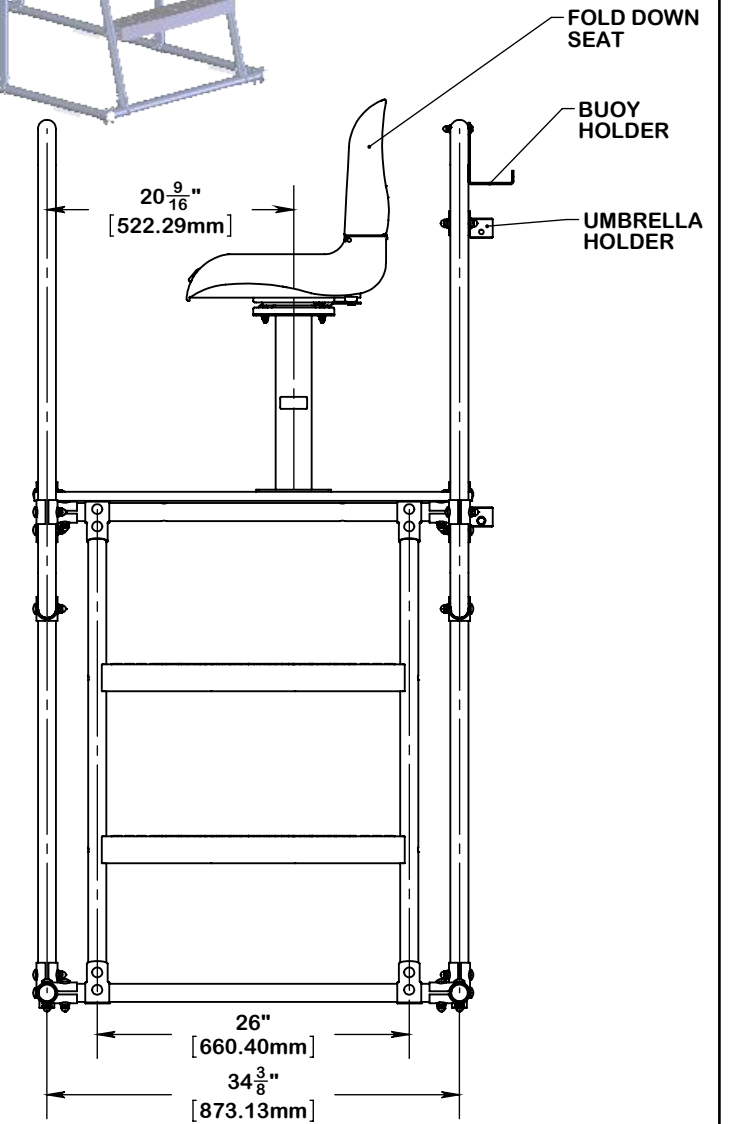
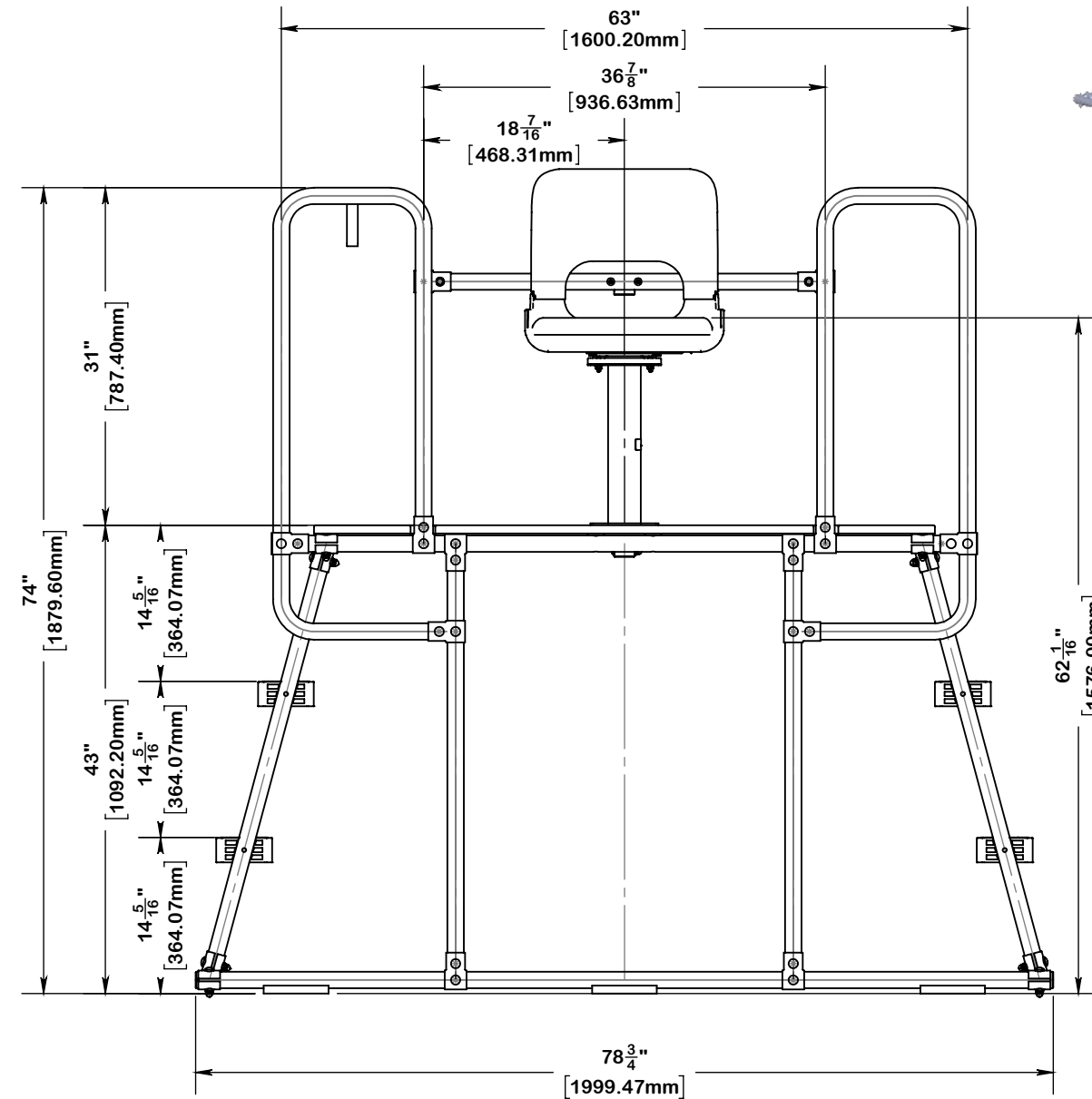
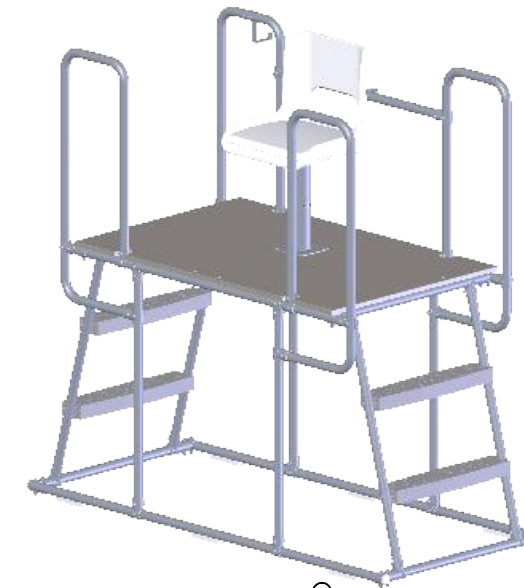
The seat shall be 17" high, 18" wide and 17 3/4" deep and shall be a double contour design for prolonged seating comfort. The seat shall fold down when not in use to keep seat surface cool and discourage use by unauthorized individuals. Fold down shall be a "No-Pinch" hinge with stainless-steel hinge pins. The seat shall swivel and be readily removable from a permanently installed base and shall be provided with a means for securing the seat. The seat assembly shall be white in color.

Umbrella and Ring Buoy Holders

One (1)-umbrella holder and one (1)-ring buoy holder shall be provided. Each shall be made of 300 series stainless steel.

Warranty

Spectrum Standard.



A PLAYCORE Company

7100 Spectrum Lane Missoula, Montana 59808
800.791.8056 www.spectrumaquatics.com

ENGINEERING DATA

PRODUCT:	HILGARD - 5'-2" SEAT HEIGHT			
MODEL #:	38915	CATALOG #:	20121	REVISION: B
MATERIAL:	SEE PARTS LIST			
FINISH #:	PASSIVATE IAW ASTM A967			

NOTE:

△ DIMENSIONS VARY WITH SPECIFIC APPLICATIONS. SPECIFICATIONS ARE NOMINAL AND ARE SUBJECT TO CHANGE. PLEASE CONTACT SPECTRUM AQUATICS FOR CUSTOM APPLICATIONS