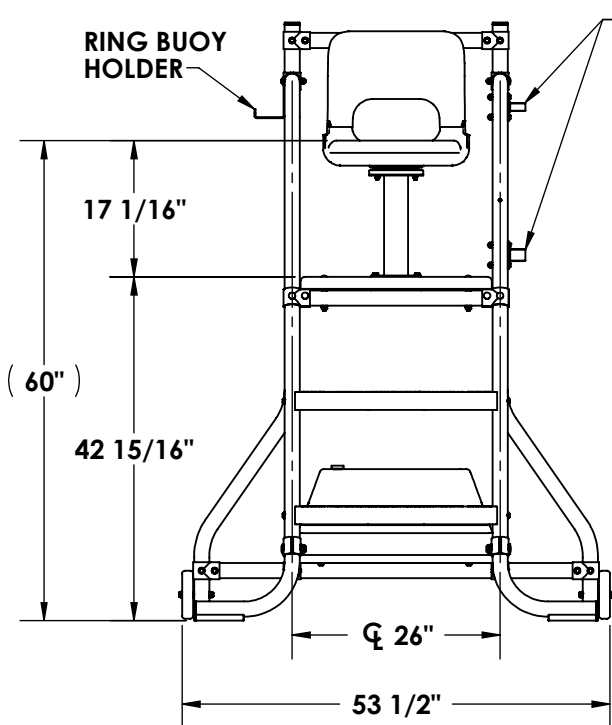
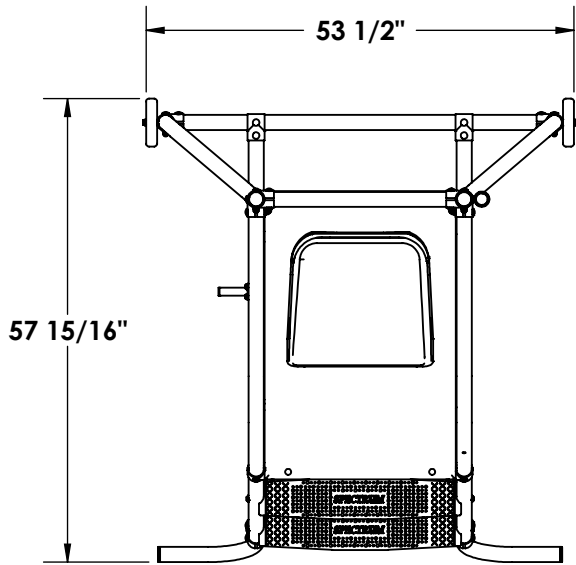
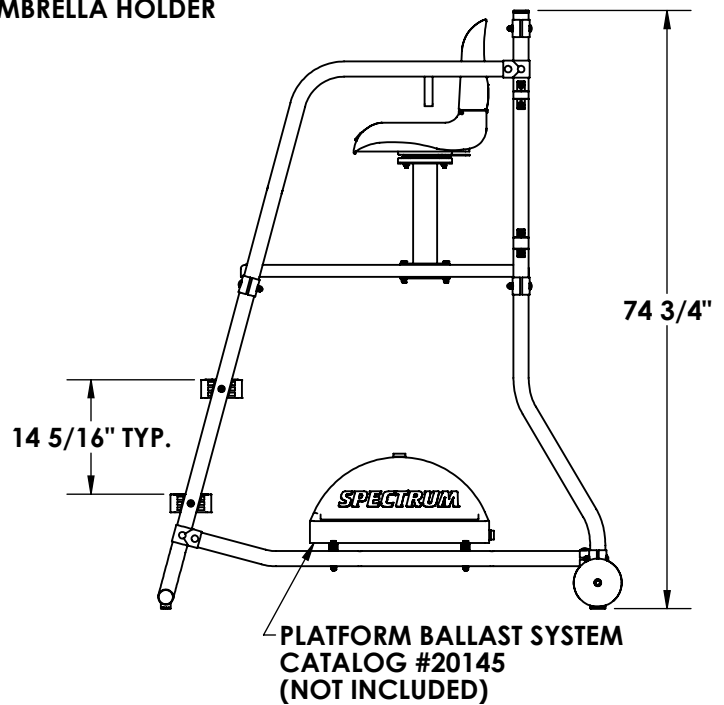


**GUARDIAN SERIES  
MODEL - DISCOVERY 5'-0"**



UMBRELLA HOLDER



**NOTE:**

1 DIMENSIONS VARY WITH SPECIFIC APPLICATIONS.  
SPECIFICATIONS ARE NOMINAL AND ARE SUBJECT TO CHANGE.  
PLEASE CONTACT SPECTUM PRODUCTS FOR CUSTOM APPLICATIONS.

**SPECTRUM**  
Products

7100 Spectrum Lane  
Missoula, Montana 59808  
406.542.9781 \* 800.791.8056  
Fax: 406.542.1158  
www.spectrumproducts.com

**ENGINEERING DATA**

PRODUCT:	DISCOVERY 5'-0"
PRODUCT #:	20140
REVISION:	A
MATERIAL:	300 SERIES STAINLESS STEEL