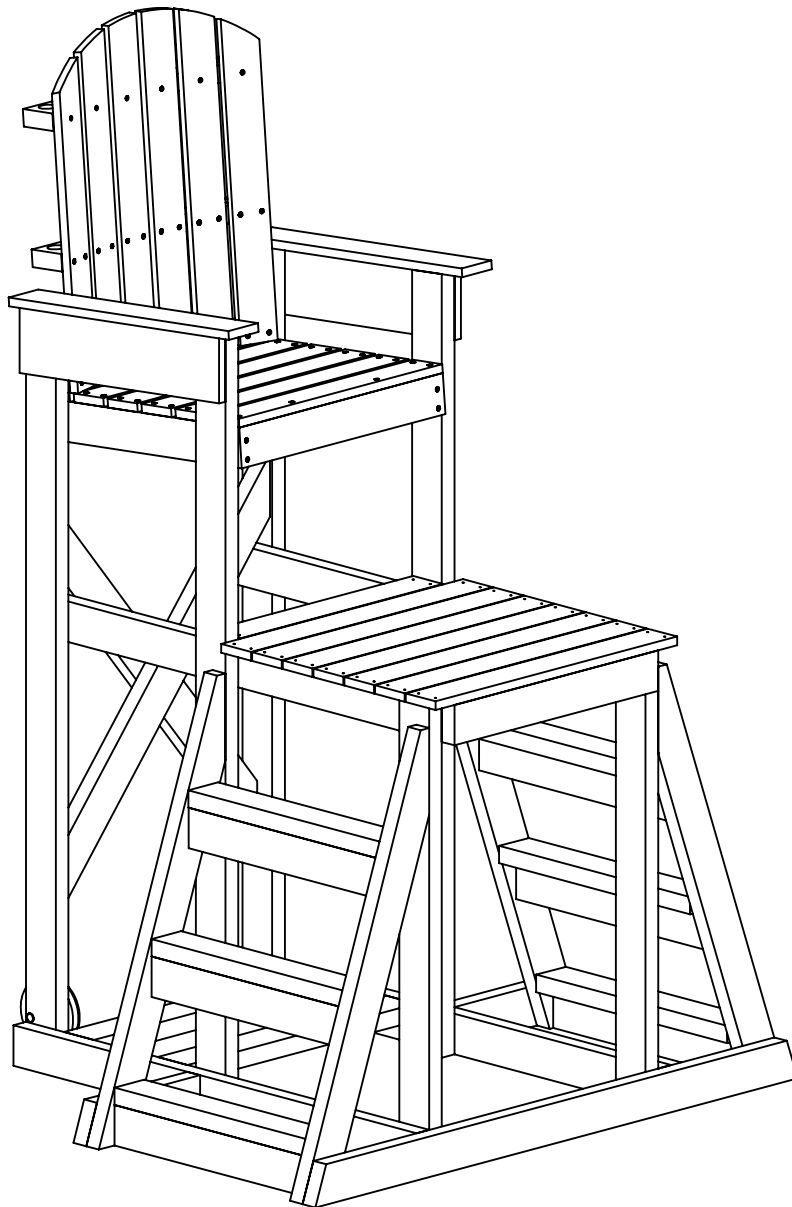


# ***MENDOTA DUAL STEP***

## ***OWNERS MANUAL***

### ***ASSEMBLY AND INSTALLATION***



***SPECTRUM***  
*Products*®

7100 Spectrum Lane  
Missoula, Montana 59808  
406.542.9781 \* 800.791.8056  
Fax: 406.542.1158  
[www.spectrumproducts.com](http://www.spectrumproducts.com)

1.800.791.8056

## Mendota Dual Step Assembly:

### Tools Required;

Drill with Square Drive Bit  
1/2" Open End Wrench  
1/2" Socket and Ratchet  
Mallet

### Hardware Pack Includes;

(22) 2 1/2" Square Drive Screws  
(18) 1 1/2" Square Drive Screws  
(26) 5/8" Carriage Bolts  
(26) 5/8" Hex Nuts

### Note:

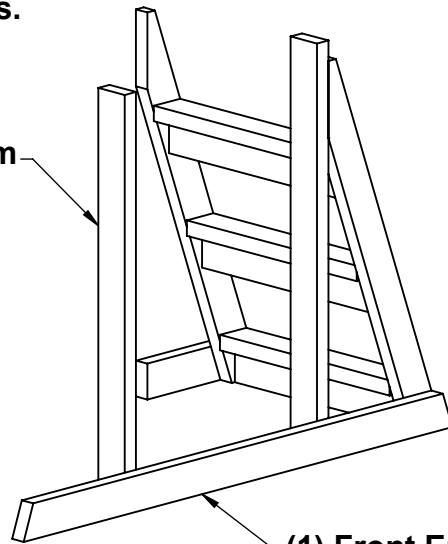
1. All carriage bolts to be left loose until stated otherwise.
2. Set up chair on a flat surface, this will make the installation of the hardware much simpler.
3. Set the heads of the carriage bolts into the HDPE lumber with the mallet before tightening; DO NOT overtighten the hex nuts.

### Step 1:

Using the provided pre-drilled holes attach the Front Platform Support to the Front End Brace with;

(4) 2 1/2" Square Drive Screws.

(2) Front Platform Support



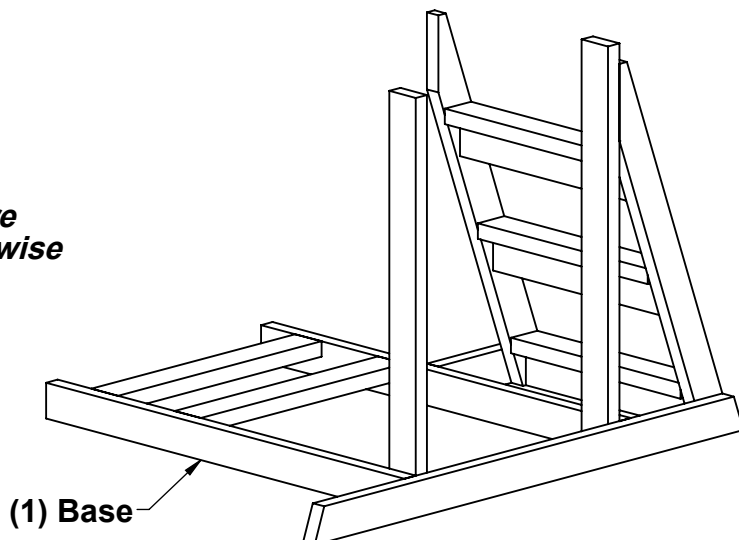
(1) Front End Brace

### Step 2:

Attach the base with;

(2) Carriage Bolts  
(2) Hex Nuts

*Note - do not tighten hardware  
leave loose until stated otherwise*

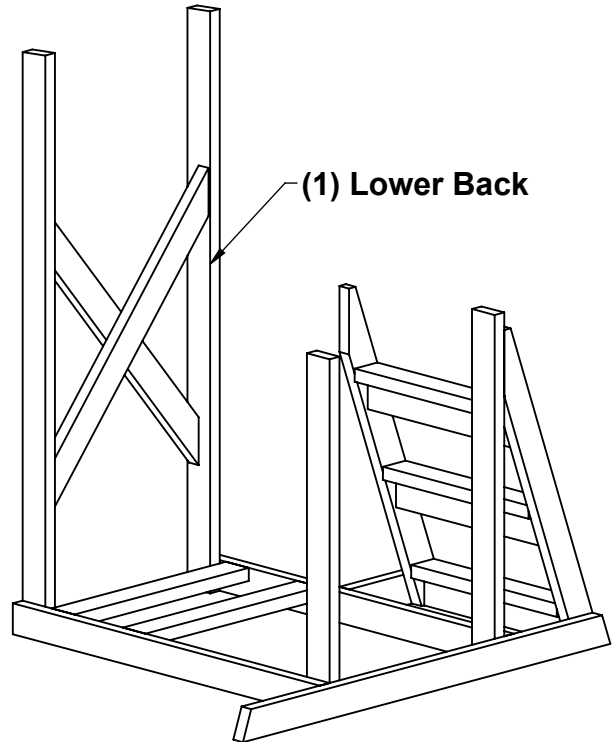


(1) Base

**Step 3:**

**Place Lower Back as shown.  
Attach with;**

- (2) Carriage Bolts**
- (2) Hex Nuts**



**Step 4:**

**Attach the Platform to Front Platform  
Support with;**

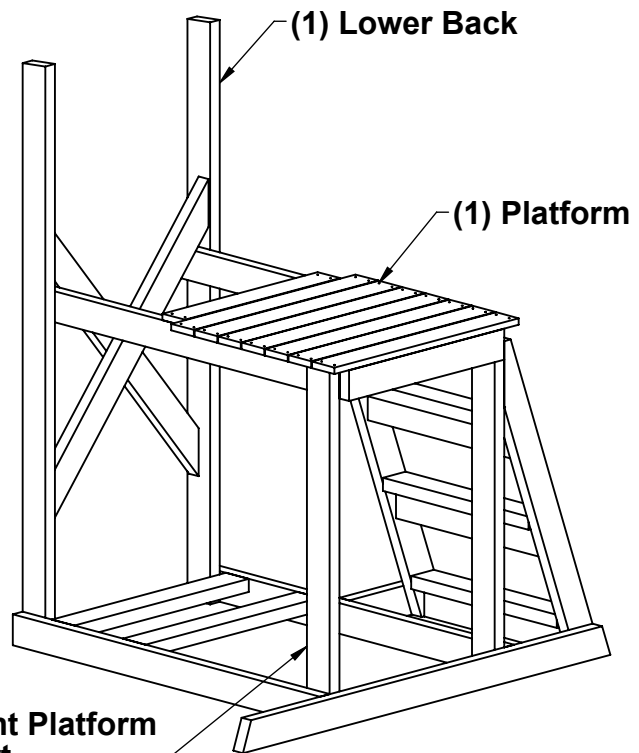
- (2) Carriage Bolts**
- (2) Hex Nuts**

**Swing Foot Rest up to meet Lower  
Back. Attach with;**

- (4) Carriage Bolts**
- (4) Hex Nuts**

**Add screw to Platform and Front  
Platform Support using pre drilled  
holes.**

- (2) 2 1/2" Square Drive Screws**



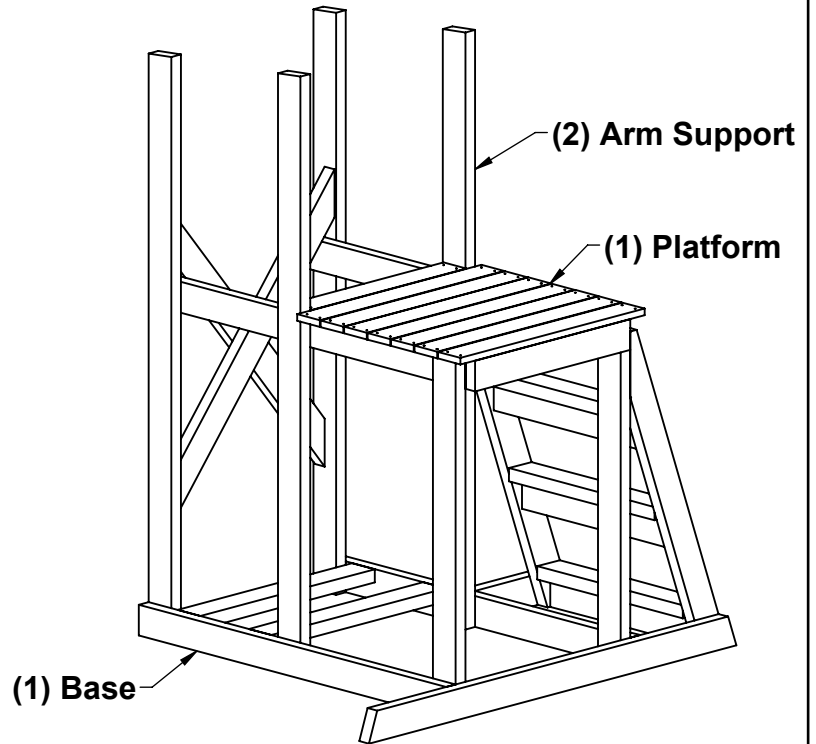
**Step 5:**

**Place Arm Supports as shown.  
Attachment at Base uses;**

- (2) Carriage Bolts**
- (2) Hex Nuts**

**Attachment to Platform uses;**

- (4) Carriage Bolts**
- (4) Hex Nuts**



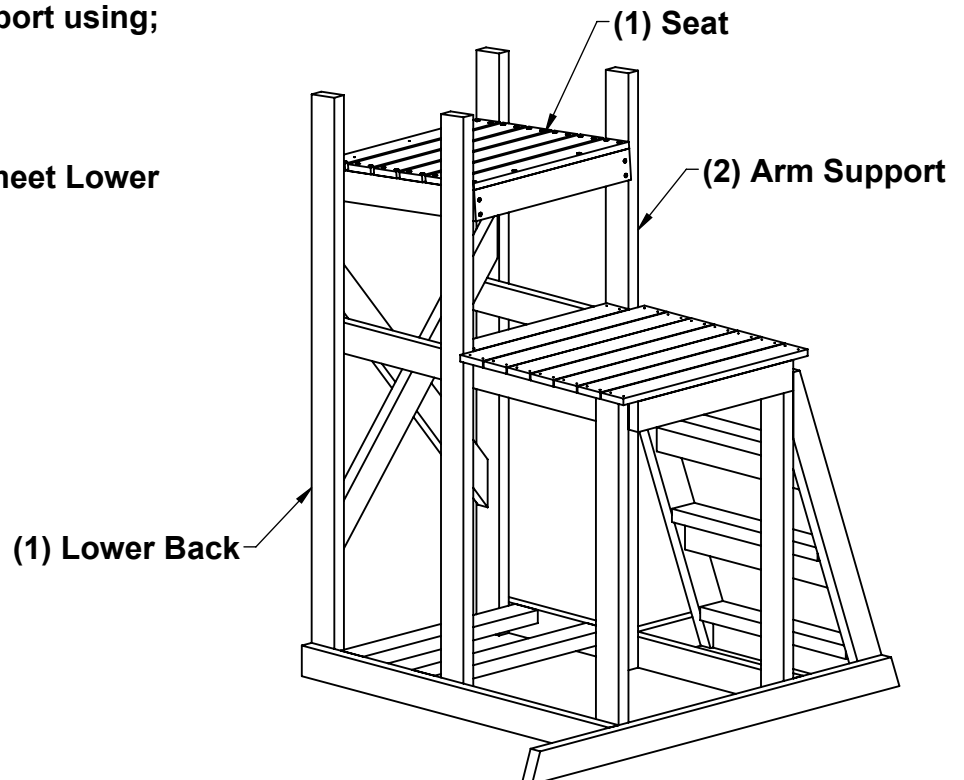
**Step 6:**

**Attach Seat to Arm Support using;**

- (2) Carriage Bolts**
- (2) Hex Nuts**

**Swing Foot Rest up to meet Lower Back. Attach with;**

- (4) Carriage Bolts**
- (4) Hex Nuts**



Use these pre-drilled holes. On top two holes use front hole

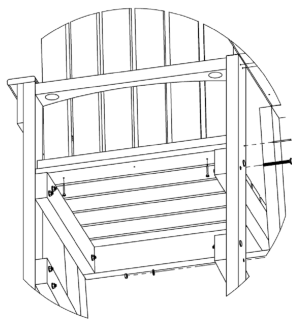
**Step 7:**

**Attach Upper Back to Seat as Shown Below;**

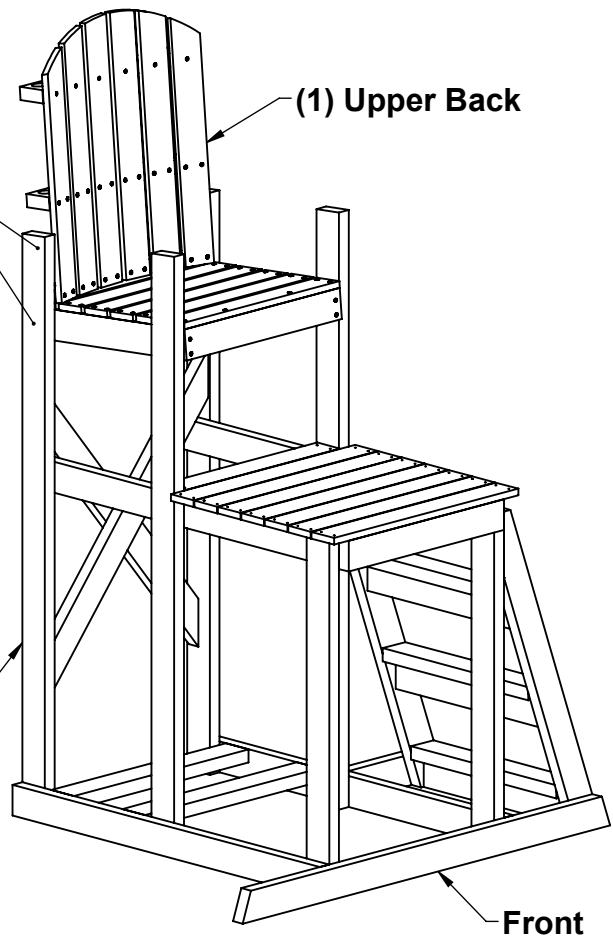
**(2) 1 1/2" Square Drive Screws**

**Attachment to Lower Back using;**

**(4) 2 1/2" Square Drive Screws**



**(1) Lower Back**



**Step 8:**

**Attach Arm Stiffener to Lower Back. Use provided pre drilled holes;**

**(4) 1 1/2" Square Drive Screws**

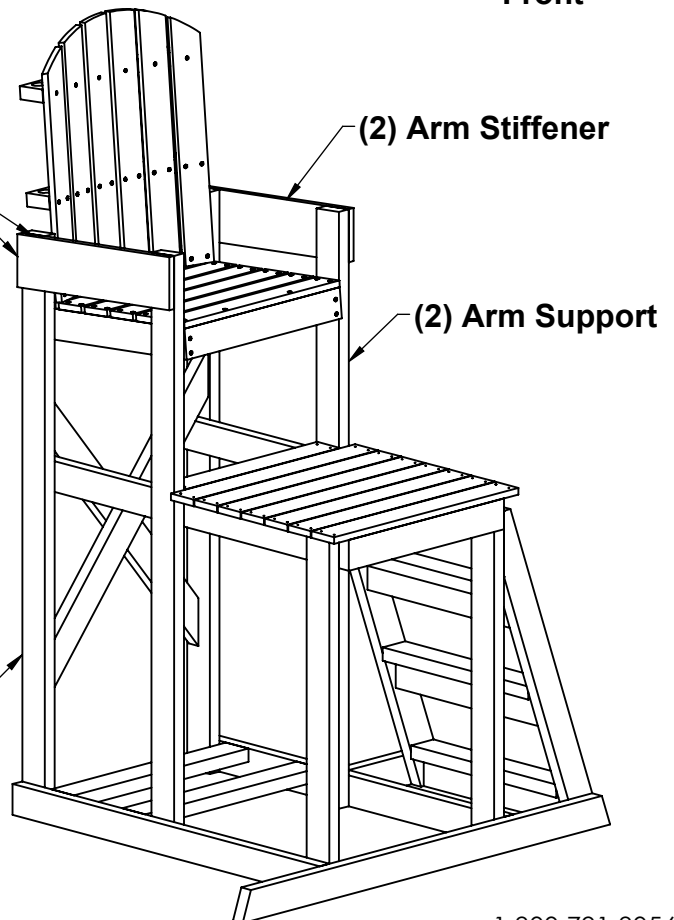
**Note: Insure Arm Stiffener is flush to Lower Back top and side.**

**Flush front of Arm Stiffener to Arm Support than attach with;**

**(4) 1 1/2" Square Drive Screws**

**Flush top and side**

**(1) Lower Back**



**Step 7:**

**Tighten all hardware. DO NOT overtighten hex nuts.**

**Step 9:**

**Place Step Supports as shown. Attach to Base using;**

**(4) 2 1/2" Square Drive Screws**

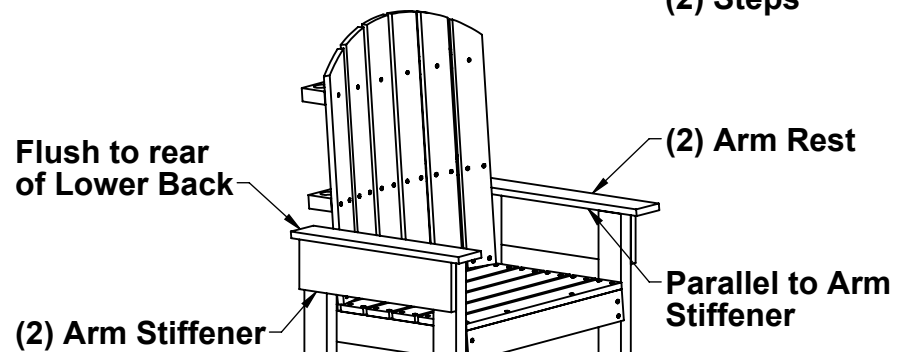
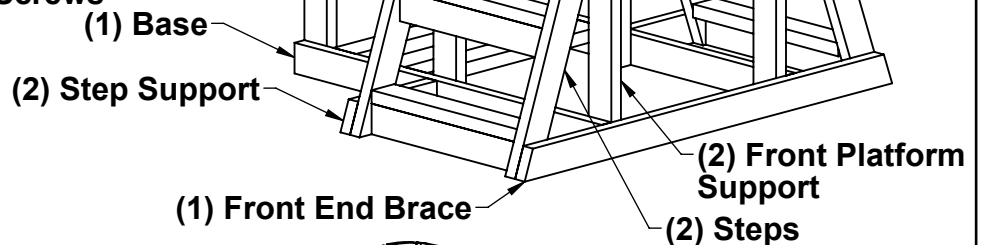
**Attach Steps to Step Supports and Front End Brace with;**

**(4) Carriage Bolts**

**(4) Hex Nuts**

**Attach Steps to Front Platform Support and Arm Support with provided pre drilled holes using;**

**(8) 2 1/2" Square Drive Screws**

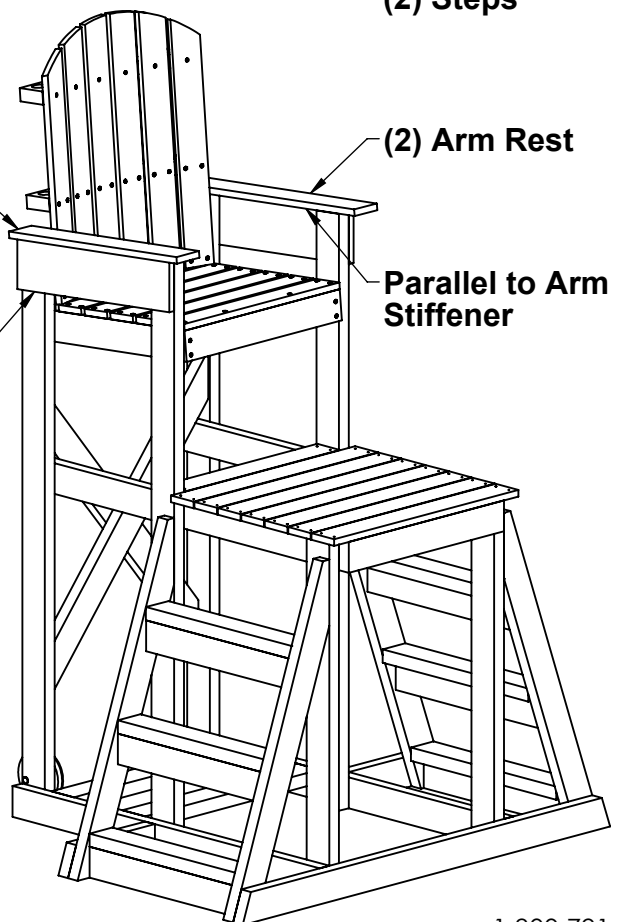


**Step 10:**

**Attach Arm Rest to Arm Stiffener. Use provided pre drilled holes and;**

**(8) 1 1/2" Square Drive Screws**

**Note: Insure Arm Rest parallel to Arm Stiffener and Flush to the rear of the Lower Back.**



**Step 11:**

**Attach Wheels using;**

- (2) Bolt CB 5/16"-18x3 1/2"**
- (4) Flat Washer 5/16"**
- (2) 5/16" Nylock Nut**

