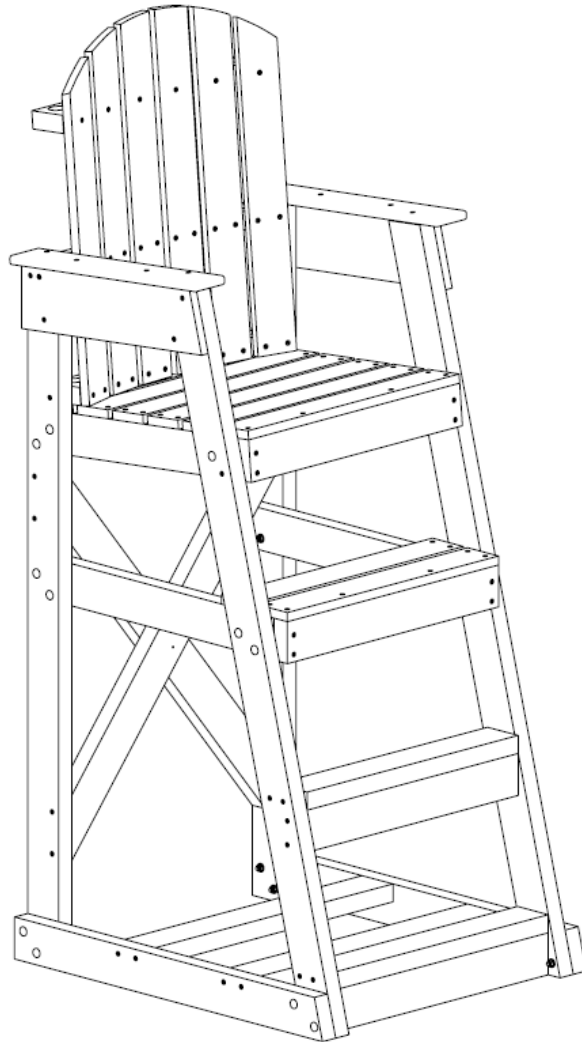


# Mendota 48" & 60" Portable Lifeguard Chair



## Owner's Manual Assembly and Installation

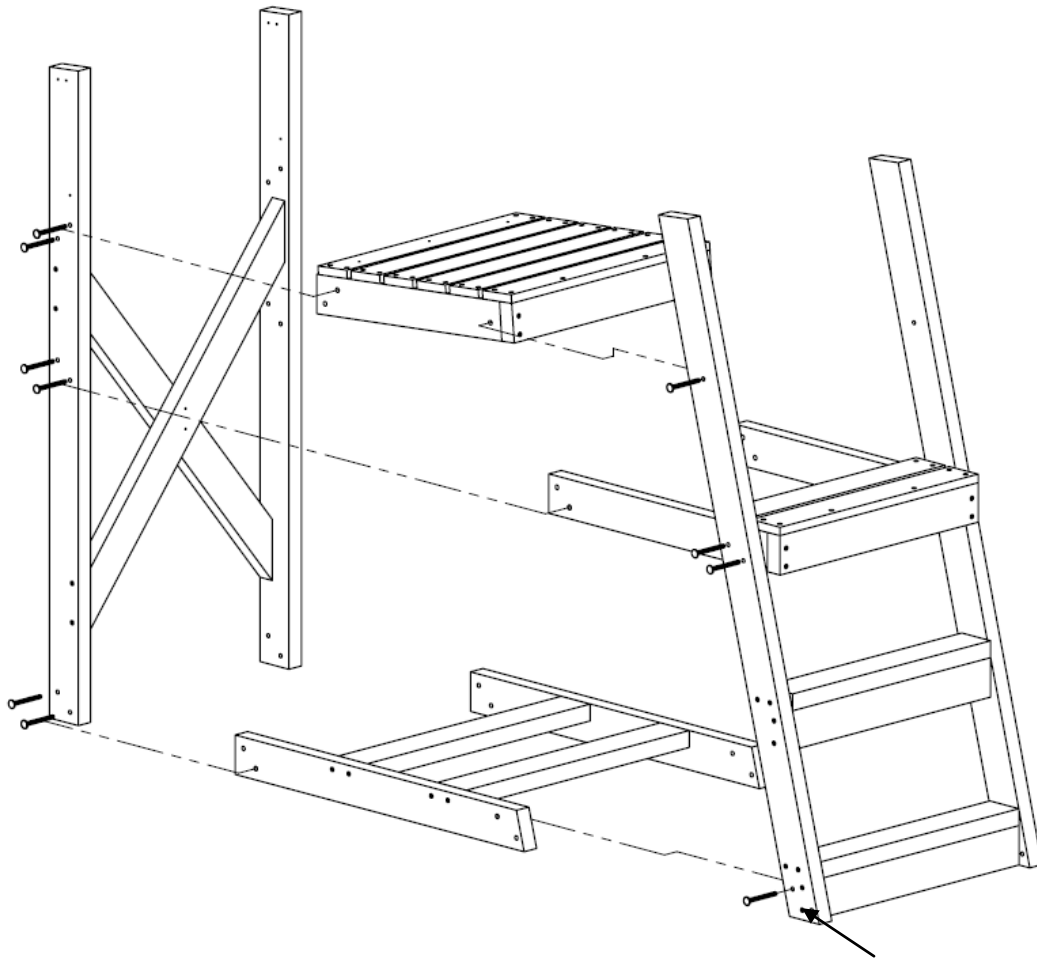


7100 Spectrum Lane  
Missoula, Montana 59808  
406.542.9781 ~ Fax: 406.542.1158

Mendota 48" Assembly:

Tools Required:

Drill with Quad Head Bit  
1/2" Open End Wrench  
1/2" Socket and Ratchet  
Mallet



**DETAIL A**

No bolt necessary on  
this model as shown  
here

- 1) Assemble main frame together as shown on one side in Detail A, *making sure to leave hardware loose*, using:

5/16" x 3 1/2" Carriage bolts  
5/16" Lock Washers  
5/16" Hex Nuts

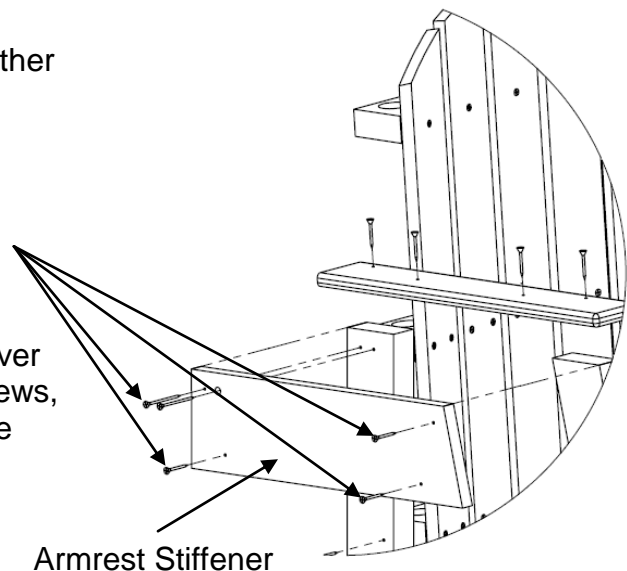
\*Note: Set up the chair on a flat surface, this will make installation of hardware much simpler.

\*Note: Set the heads of the carriage bolts into the HDPE lumber with the mallet before tightening; do not over tighten the hex nuts.

- 2) As shown in Detail B, screw together the armrest stiffener (both sides) making sure to **screw into the existing holes**, using:

8 - 1 1/2" Quad Head Screws

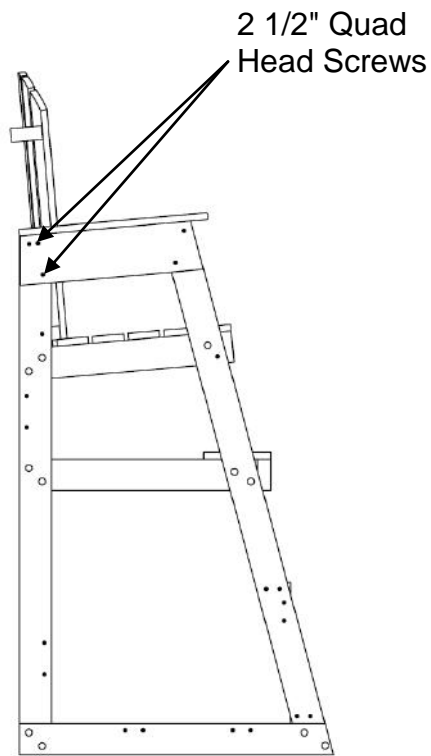
\*Note: It is important not to over tighten the stainless steel screws, this leaves a depression in the surface where water and contaminants can build up.



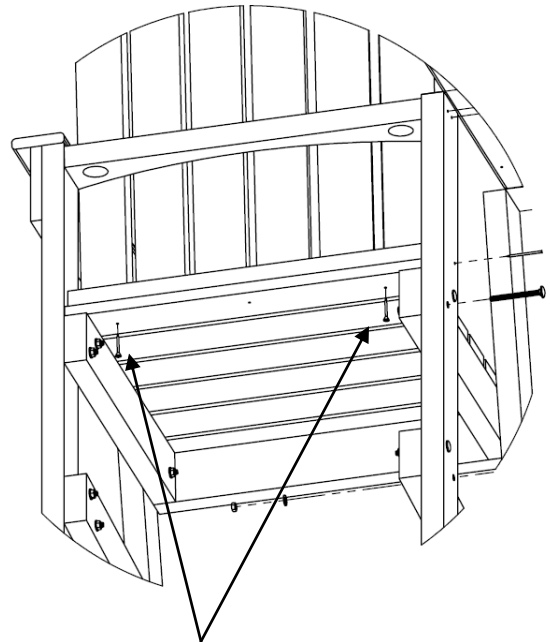
DETAIL B

- 3) Tighten all hardware from step 1
- 4) As shown in Detail C, attach seat back to seat bottom (please use existing holes) using:

2 – 1 1/2" Quad Head Screws



**DETAIL D**



**1 1/2" Quad Head Screws**

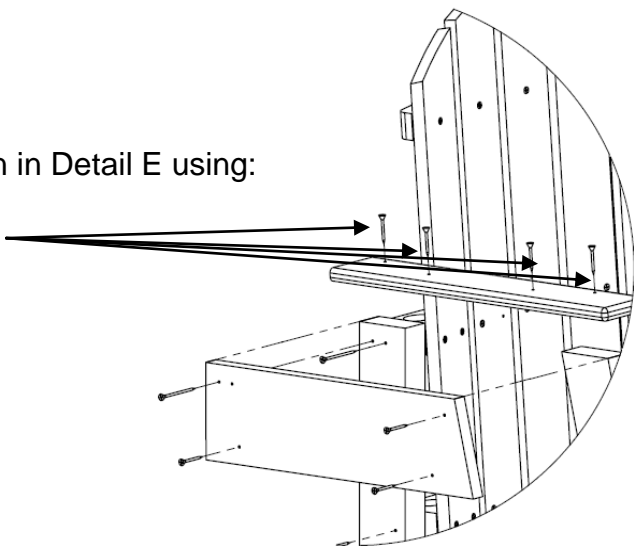
**DETAIL C**

- 5) Attach the seat back as shown in Detail D making sure to screw into existing holes, using:

4 – 2 1/2" Quad Head Screws

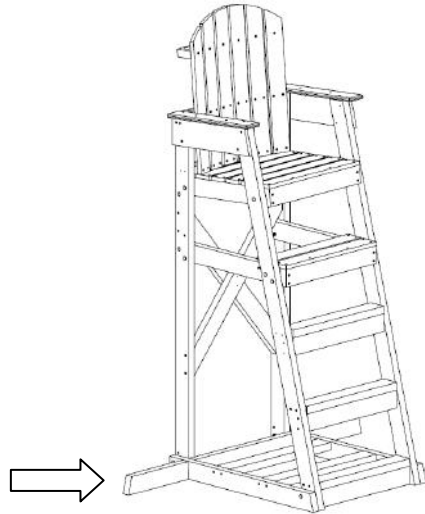
- 6) Then attach armrest as shown in Detail E using:

4 – 1 1/2" Quad Head Screws



**DETAIL E**

7) For 60" Mendota Slide Base Support in as shown;



8) Attach wheels as shown using;

- 2 - BOLT CB 5/16"-18x3 1/2" TYPE 316
- 4 - FLAT WASHER 5/16"
- 2 - 5/16" NYLOCK NUT

