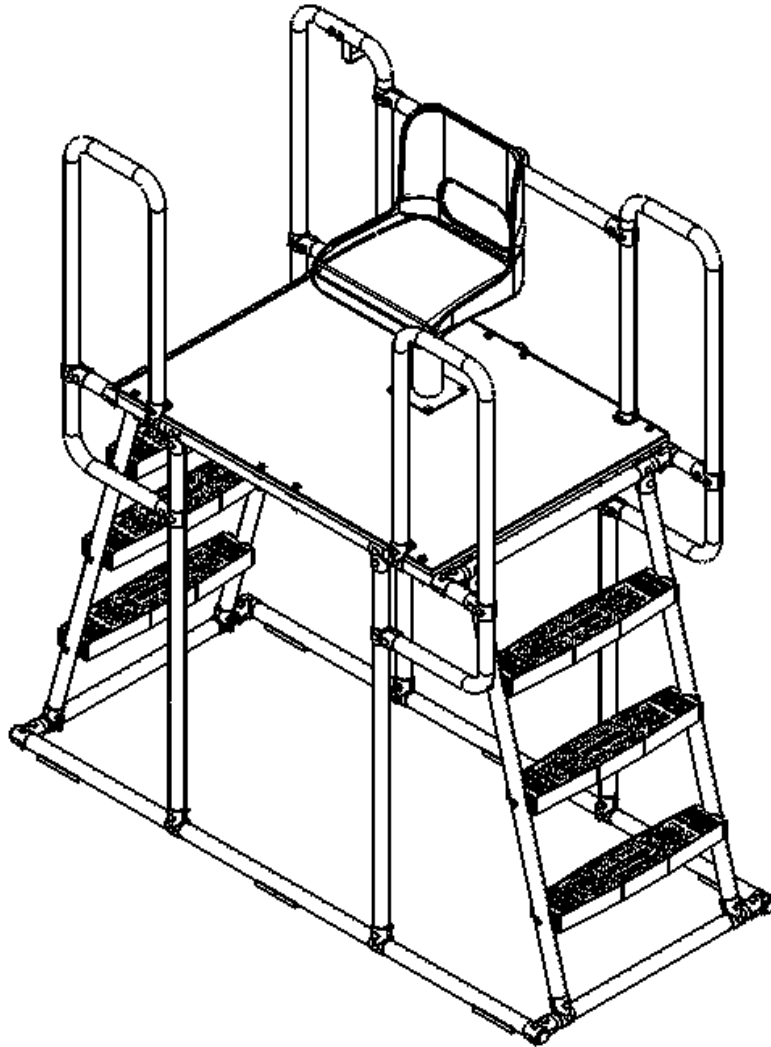


HILGARD

Part Number 20121



SPECTRUM[®]
Aquatics
A PLAYCORE Company

7100 Spectrum Lane ~ Missoula MT 59808
800.791.8056 ~ www.spectrumproducts.com

20121 Rev A

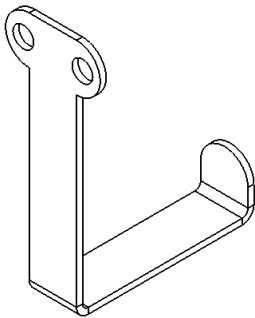
You have purchased a Spectrum Products Hilgard Guard Chair. Providing the unit is installed correctly and properly maintained, it will furnish you with many years of trouble free use. It is important to read this entire manual prior to beginning assembly or operation.

Shipping Information:

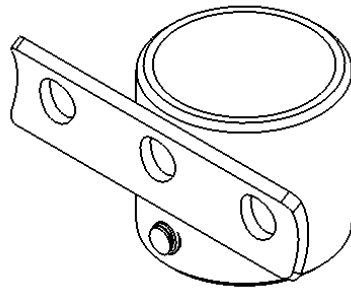
Each Hilgard Guard Chair should arrive in one box which includes all components necessary to complete assembly. Before accepting the shipment from the carrier, inspect for visible damage and match the contents with those listed below. Spectrum is not responsible for lost or damaged freight.

The pallet will contain all structural components and hardware. The following is a list of the components included with your shipment from Spectrum.

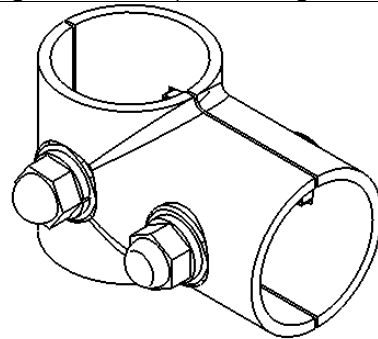
76	Split Tee Connectors	1	Chair Platform
76	2 1/4" x 3/8" Carriage Bolts	1	Chair Pedestal
102	3/8" Lock Washers	2	Chair Mounting Flanges (Left and Right)
90	3/8" Acorn Nuts	1	Buoy Holder
16	3/8" Flat Washer	2	Umbrella Holder
12	3/8" Hex Nut	6	Foot Pad
4	3" x 3/8" Button Head Screws	18	Foot Pad Retaining Pin
14	2" x 3/8" Button Head Screws	1	Seat
4	3/16" Nylon Washer	1	Seat Mounting kit
8	2 1/2" x 3/8" Button Head Screws	4	Pipe End Caps
4	5/16" Thick Nylon Washer	4	Molded Steps
4	3/16" Thick Nylon Washers	1	Hilgard Frame (21 Tubing Pieces)



Buoy Holder



Umbrella Holder



Split Tee Connector

Installation Overview

Read all instructions before attempting to assemble or install your Hilgard guard chair.

Required Tools

The following tools are required for the assembly of your new Hilgard guard stand.

- 9/16" Socket and Wrench
- 5/8" Socket and Wrench
- 7/16" Socket or Wrench
- 7/32" Hex Key (Allen Wrench)
- 5/32" Hex Key (Allen Wrench)
- Framing Square or Tape Measure

Assembly Instruction

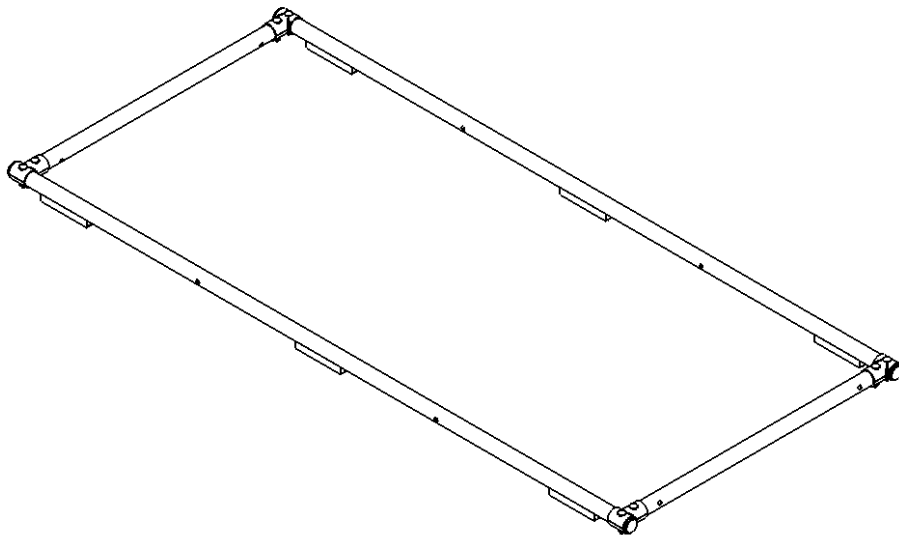
Note: Do not tighten the split tee connection bolts until instructed.

- a) To begin assembly locate the base tubes of the guard stand. Connect these tubes using (4) split tees and (8) 2 1/4" carriage bolts, lock washers, and acorn nuts.

Note: Ensure that the holes drilled for the step connection are aligned to cause the steps to incline towards the inside of the frame.

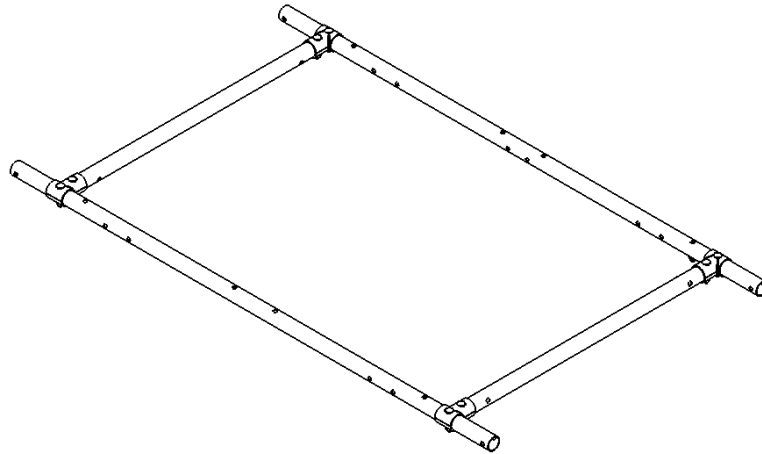
Note: Install the carriage bolts with the bolt head on the side of the tube on which the footpads are installed. This will prevent the acorn nuts from marring the pool deck.

Note: The short tubes for the base and the pedestal level cannot be interchanged. The tubes for the pedestal level have an extra holes used to attach the platform.

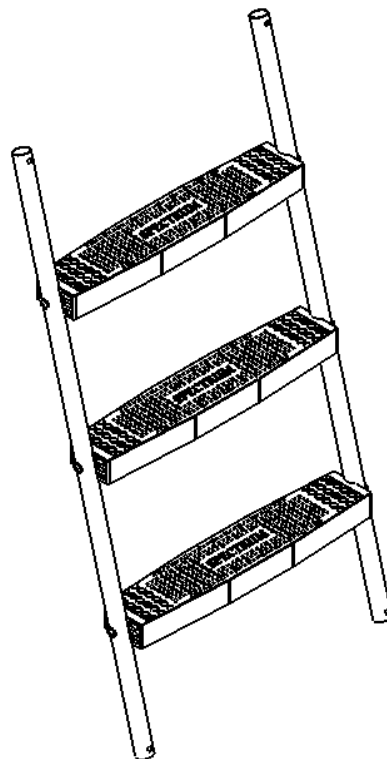


- b) Locate the components for the pedestal level of the frame. Connect these parts using (4) split tees and (8) 2 1/4" carriage bolts, lock washers, and acorn nuts. Acorn nuts on this portion should all be located on the deck side of the tubing.

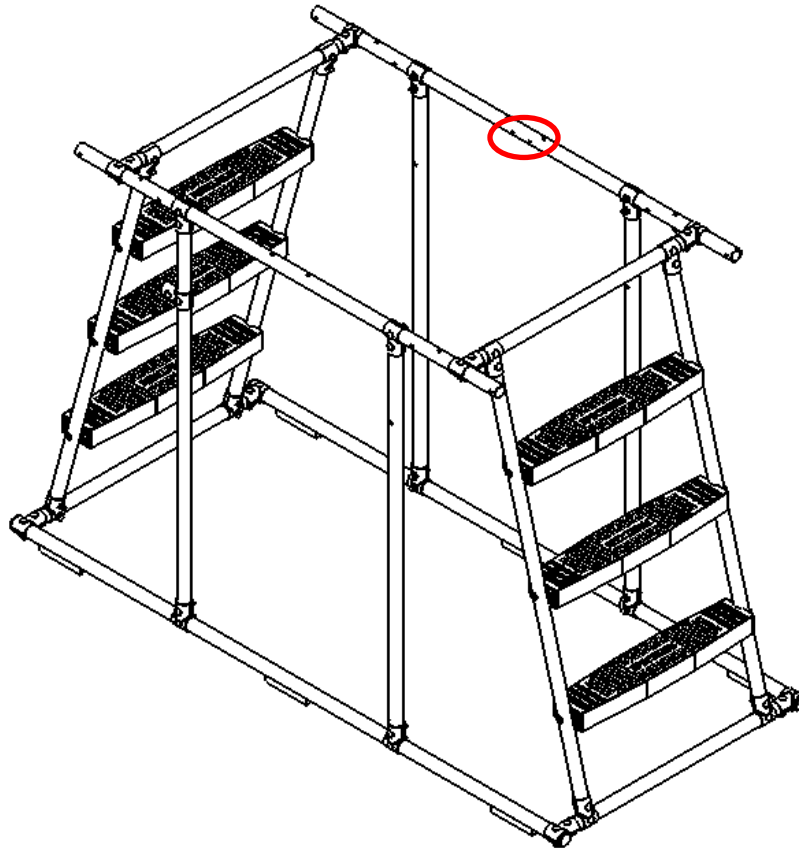
Note: Ensure that the holes drilled for the step connection are aligned to cause the steps to incline towards the outside of the frame.



- c) Locate the components for the step assembly. Attach each step to the tubing using (2) 2 1/2" bolts, flat washers, and lock washers per step. The number of steps may vary from the picture shown below based on the height of your guard stand.

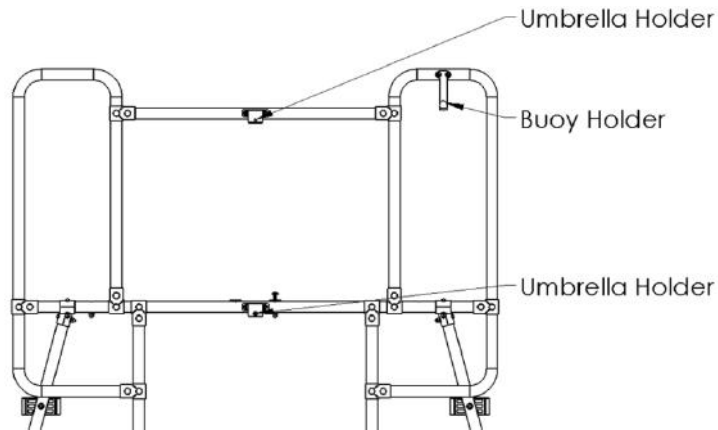


- d) At this time the base and pedestal level can be connected using the four support poles. Ensure that the grab rail mounting holes are positioned at the pedestal level end of the tube and attached the tubes using (8) split tees (16) 2 1/4" carriage bolts, lock washers, and acorn nuts.
- e) Once the base and pedestal level are connected the steps can be attached using (8) split tees (16) 2 1/4" carriage bolts, lock washers, and acorn nuts.

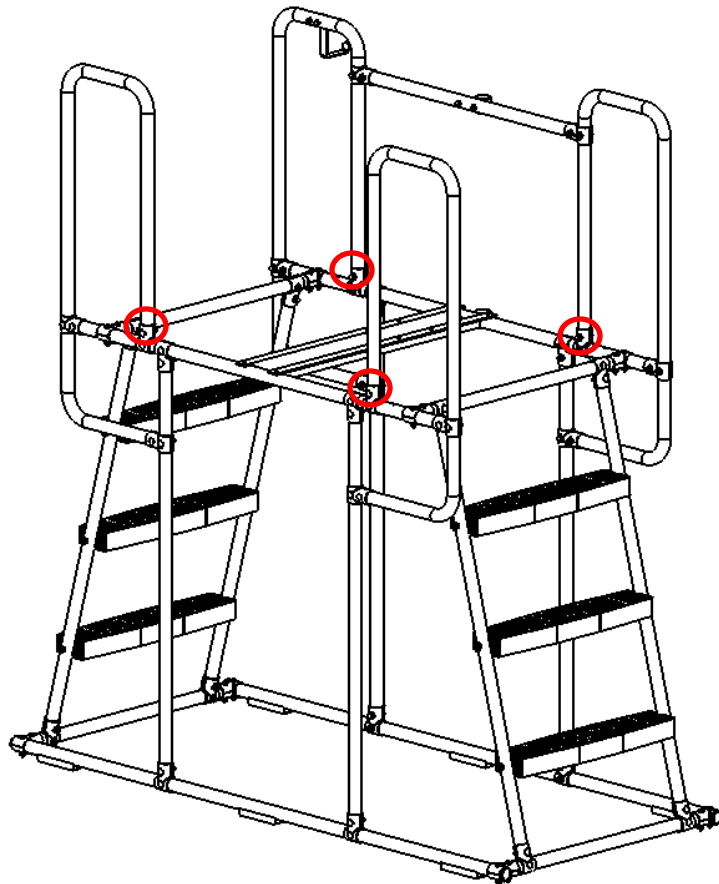


- f) The grab rails can now be installed. Please note that one grab rail has two additional holes drilled to affix the buoy holder. This grab rail should be installed on the back side of the stand which can be determined by the additional holes drilled for the umbrella holder (circled above). The grab rails will be attached using (12) split tees (24) 2 1/4" carriage bolts, lock washers, and acorn nuts.

Note: (4) of the carriage bolts must be installed with the head facing the inside of the frame to allow room for the platform. These locations are indicated by the circles in the figure on the next page.



- g) The rear grab rail connection bar can be installed at this time using (2) split tees and (4) 21/4" carriage bolts, lock washers, and acorn nuts. Once this bar is in place attach the umbrella and buoy holders using 2" bolts, lock washers, and acorn nuts as indicated in the figure above.
- h) The pedestal mounting brackets can now be installed. The vertical faces of these angled steel pieces should face towards the inside of the frame and the seat pedestal mounting holes should be positioned towards the rear of the platform. These pieces are attached using (8) 2" bolts, lock washers, and acorn nuts. Ensure that the acorn nuts are on the base side of the tubing to allow the platform to be properly positioned.



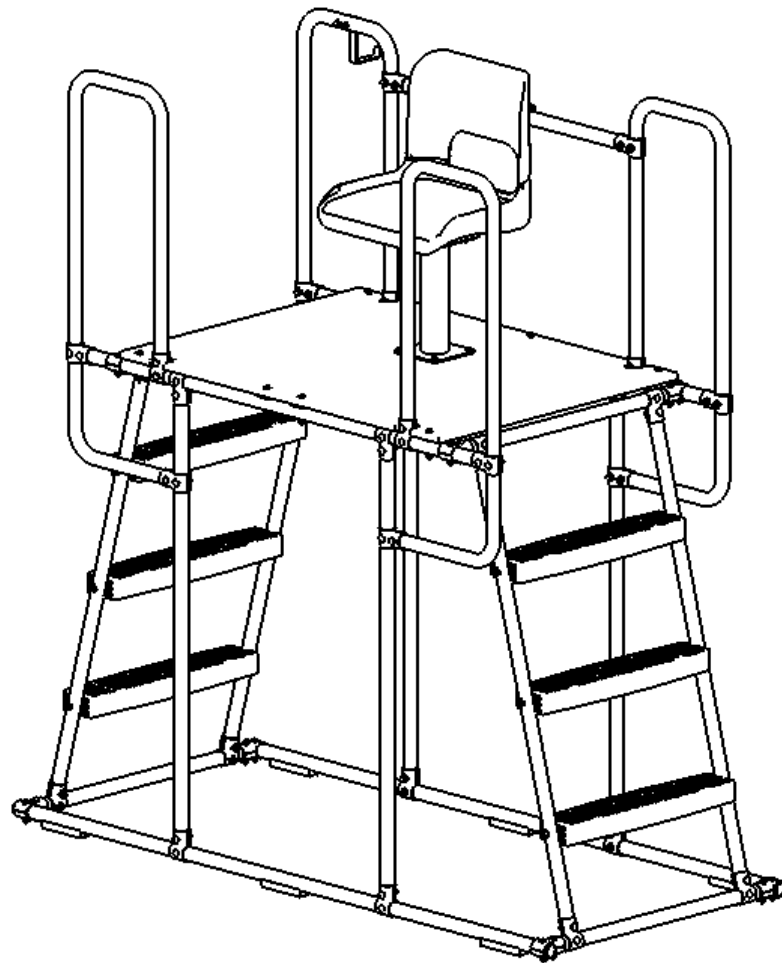
- i) At this time the platform should be installed. Carefully place the platform at the pedestal level and attach with (4) 3" bolts, 5/16" nylon washers, flat washers, lock washers, and acorn nuts. The nylon washers should be installed between the platform and the tubing to prevent damage to the platform.

Note: When attaching the platform only tighten the bolts to finger tight to allow for adjustment that may be necessary when installing components in the next steps.

- j) The seat pedestal may now be attached using (4) 2" bolts, 3/16" nylon washers, flat washers, lock washers, and acorn nuts.
- k) At this time using a framing square or tape measure the base of the frame can be adjusted until square and all connections can be tightened.

Note: Ensure all connections are checked for tightness to prevent possible personal injury or damage to the guard stand.

- l) The seat can now be attached to the top of the pedestal using the included hardware package.
- m) After checking that all connections are securely tightened your new Hilgard guard stand is ready for use.



Care and Maintenance

The following should be performed periodically to ensure safe and dependable use.

1. Remove any discoloration with a 3M scratch pad (stainless steel components only). Wipe clean with a sponge dampened with Spectra Clean. Repeat these steps several times to passivate the stainless steel. Spectra Clean kits are available from Spectrum (Part Number 202050-00). Do not spray with high-pressure water, only clean with non-chlorinated water.
2. Check all mechanical connections – inspect the nuts on all parts and make sure they are snug.