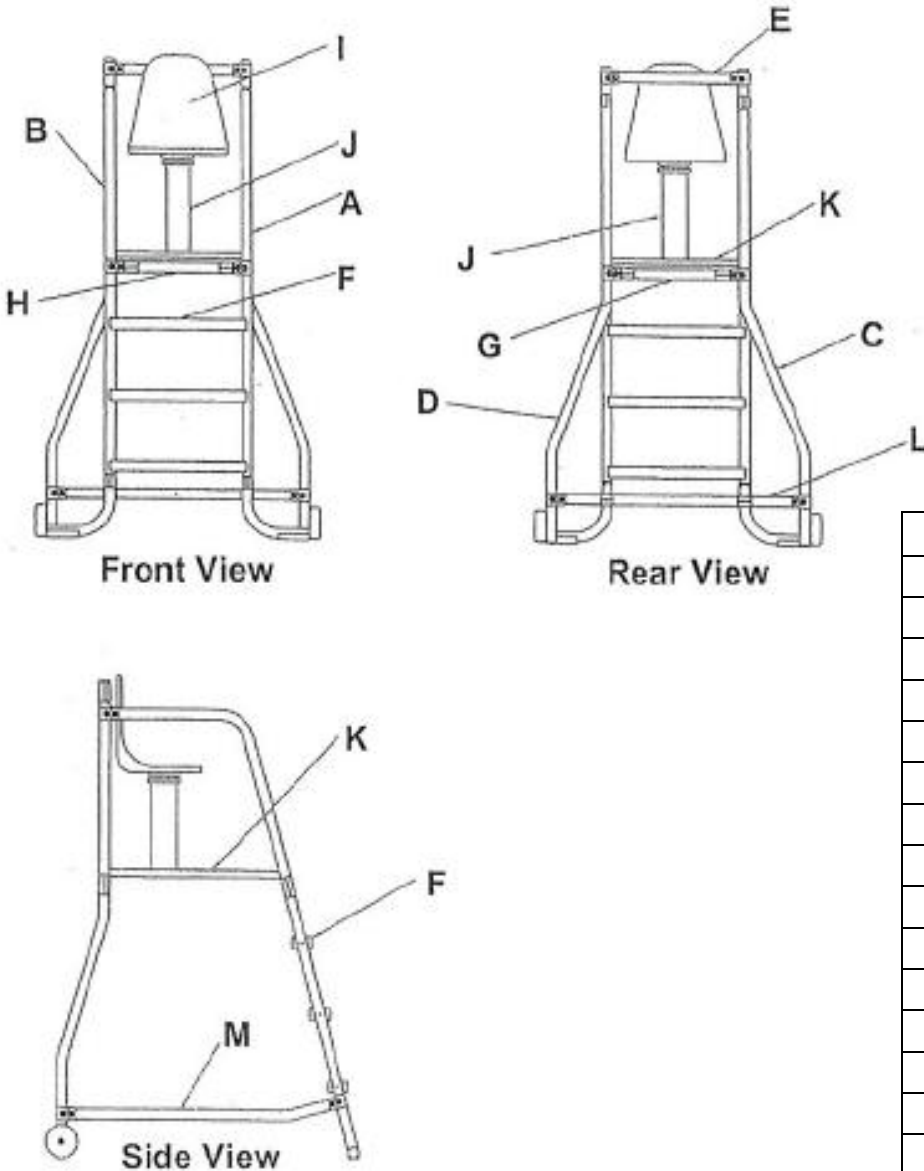


Discovery Guard Chair Assembly Instructions

Assembly of this Discovery Guard Chair may require two people, but should only take roughly 1-2 hours depending on the assembler's experience. Take inventory of all parts to verify you have all the parts necessary to assemble before beginning.



	Description	Qty
A	Side Rail-Right	1
B	Side Rail-Left	1
C	Rear Support-Right	1
D	Rear Support-Left	1
E	Top Connector	1
F	Step Tread	*
G	Rear Platform Bar	1
H	Front Platform Bar	1
I	Seat	1
J	Seat Pedestal	1
K	Footboard	1
L	Rear Connector Bar	1
M	Side Connector Bar	2
	Split Tees w/Hardware	14
	Wheels	2
*	Step Treads for 8' Model	5
	Step Treads for 6' Model	3
	Step Treads for 5' Model	2
	Step Treads for 4' Model	2

Reference the first page drawings while following the steps below.

USING THE SPLIT TEE HARDWARE PACKS #14233:

- Split-tee hardware – 14233 (14)___
- ___ (2) 20034 3/8” x 2 3/4” Carriage bolt
- ___ (2) 20018 3/8” Acorn nut
- ___ (2) 20017 3/8” Lock washer

STEP 1: Secure the Side Rails (A) & (B) to the Front Platform Bar (H) as shown in the Front View Drawing.

STEP 2: Attach the Rear Support (D) to Side Rail (A) as shown in the Rear View Drawing.

STEP 3: Attach the Rear Support (C) to Side Rail (B) as shown in the Rear View Drawing.

STEP 4: Attach the Rear Connector (L) to the Rear Supports (C) and (D) as shown in the Rear View Drawing.

STEP 5: Slide on the two umbrella holders onto the rear support (C)

Umbrella Holder Hardware – 14242 (1)

- ___ (1) 564955-03 - Screw BH 3/8-16 x 2 1/4"
- ___ (1) 20018 - Nut ACN 3/8-16
- ___ (1) 20017 - 3/8" Lock Washer

Attach using two 5/16 x 1/2 hex bolts to clamp holders in place. Use 3/8 x 2 1/4 button head bolt with lock washer and acorn nut as stopper for bottom umbrella holder.

STEP 6: Attach the Top Connector (E) to the Rear Supports (C) and (D) as shown in the Rear View Drawing.

STEP 7: Attach one Side Connector (M) to the Side Rail (A) and the Rear Support (D) as shown in the Side View Drawing.

STEP 8: Attach the other Side Connector (M) to the Side Rail (B) and the Rear Support (C) as shown in the Side View Drawing.

STEP 9: Secure the Rear Platform Bar (G) between the Rear Supports (C) and (D) as shown in the Rear View.

STEP 10: HARDWARE PACK: Footboard to frame hardware – 14232 (1)

- ___ (4) 20215 3/8” x 4 1/2” Button Head bolt
- ___ (4) 30036 Washer- nylon
- ___ (4) 20017 3/8” Lock washers
- ___ (4) 20004 3/8” Hex nut
- ___ (4) 20012 3/8” Flat washer

Secure the Footboard (K) to the Front and Rear Platform Bars (H) and (G) respectively. Make sure the nylon washer is between the footboard and frame.

STEP 11: HARDWARE PACK: Pedestal to footboard hardware – 14236 (1)

- ___ (4) 20113 3/8" x 2 1/2" Hex head bolt
- ___ (8) 20012 3/8" Flat washer
- ___ (4) 20011 3/8" Nylock nut

Attach the Pedestal (J) to the Footboard (K). Add backing plate to footboard top before placing pedestal.

STEP 12: HARDWARE PACK: Quick disconnect to pedestal hardware - 14252 (1)

- ___ (4) 20128 1/4" x 1 1/4" Button head bolt
- ___ (4) 23080 1/4" Flat washer
- ___ (4) 20129 1/4" Nylock nut

Secure the Quick Disconnect Plate of the seat (I) to the Pedestal (J).

STEP 13: HARDWARE PACK: Step tread hardware – 14227 (3)

- ___ (2) 20035 - 3/8" x 2 3/4" Button head bolt
- ___ (2) 20004 3/8" Hex nut
- ___ (2) 20017 3/8" Lock washer
- ___ (2) 20004 3/8" Flat washer

Secure the Step Treads (F) to the Side Rails (A) & (B) using the supplied hardware.

STEP 14: HARDWARE PACK: Ring buoy – 14242 (1)

- ___ (2) 20038 Button Head 3/8" X 2 1/2"
- ___ (2) 20012 3/8" Flat washer
- ___ (2) 20017 3/8" Lock washer
- ___ (2) 20018 3/8" Acorn nut
- ___ (2) 20074 – 5/16" X 1/2" Hex Bolt

Attach the ring buoy to the left side rail (B) using two 2-1/2 x 3/8 button head bolts with lock washers and nuts.

Wheel hardware – 14228 (1)

- ___ (2) 20144 Screw HC 3/8-16 x 4 1/4"
- ___ (4) 20012 3/8" Flat washer
- ___ (2) 20011 3/8" Nylock nut
- ___ (2) 30036 Washer- nylon

Assemble the wheels making sure that the nylon washer is between the wheel and frame.