



User instructions

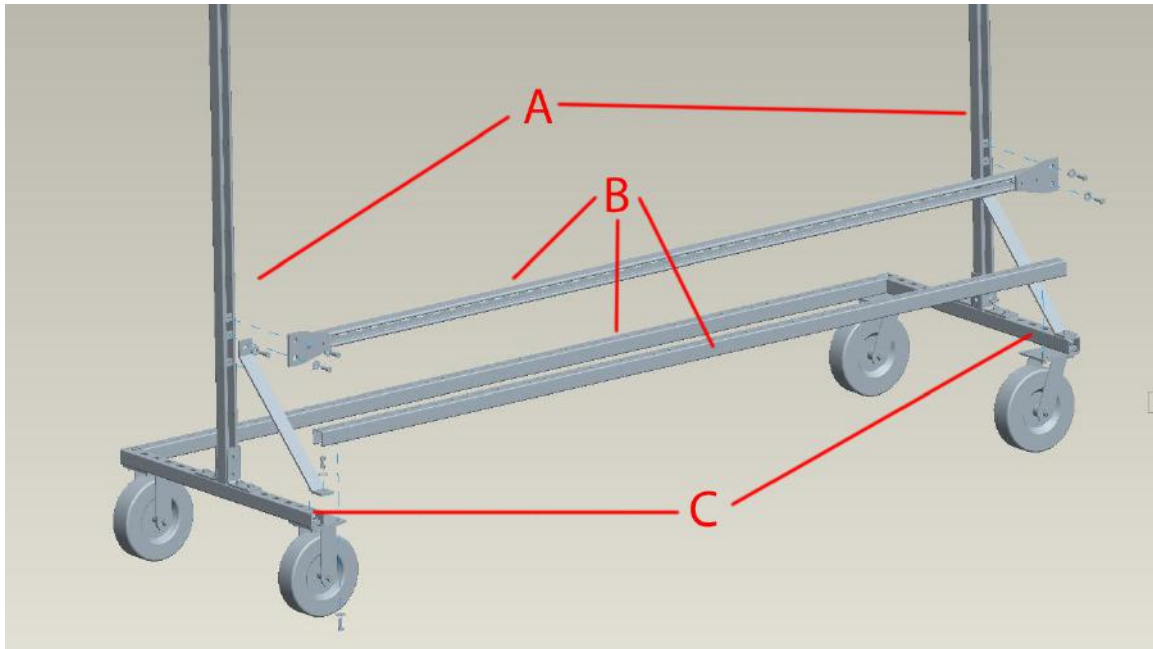
Scoreboard Caddy Assembly

Tools needed:

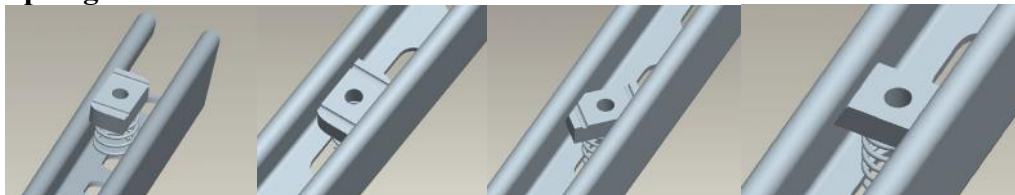
- 9/16" wrench and/or socket
- Framing square

List of parts:

- 2 end frame bases (Item C, 32" each), with center bracket and casters attached (those on one end frame swivel, and those on the other do not).
- 2 center uprights (Item A; 60" in length for a 1-4 line caddy (LED or light-reflective) or 74" for a 5-line configuration).
- 3 cross frame sections (Item B; 96.125" for scoreboard modules with LED digits or 100.5" for scoreboard modules with mechanical flip digits). Note that one of the cross frames has a flat bracket loosely attached at each end.
- 2 45° angle brackets.
- 1 bag of hardware including 16 Unistrut bolts (3/8" x 1"), 14 spring nuts (3/8"), 18 washers (3/8") and 2 locknuts.



Spring nut instructions:





Final Assembly

Your scoreboard caddy comes partially assembled from the factory. To complete the assembly, follow these instructions.

1. Install the 2 outer bottom cross frames (Item B) to the end frames (Item C) by attaching to the wheel base extension of each caster (Note that the wheel base extension should be oriented towards the inside of the caddy as shown). Secure with 1 spring nut, 1 washer and 1 bolt per caster. See spring nut instructions above.
2. Attach the uprights (Item A) to the center brackets on the end frames using four each of the items spring nuts, washers and bolts. **Ensure that they are 90 degrees in relation to the bottom frame using the square.**
3. Attach one end of each 45-degree angle bracket to the end frames (Item C) using two each of items ny-lock nuts, washers and bolts.
4. Attach the other end of the 45-degree angle bracket to the uprights (Item A) using two each of items spring nuts, washers and bolts.
5. The flat plate fittings are attached to the center cross frame but will need to be re-positioned to allow attachment to the center uprights (Item A). Remove the two bolts and washers, then slide the flat plates out 1-1/2" to expose the mounting holes for attachment to the center uprights.
6. Re-install the bolts and washers; tighten slightly.
7. Mount the center cross frame just above the 45-degree angle brackets using 4 each of items spring nuts, washers and bolts. Tighten the bolts attaching the flat plate fitting to the center cross frame using a 9/16" socket or wrench.