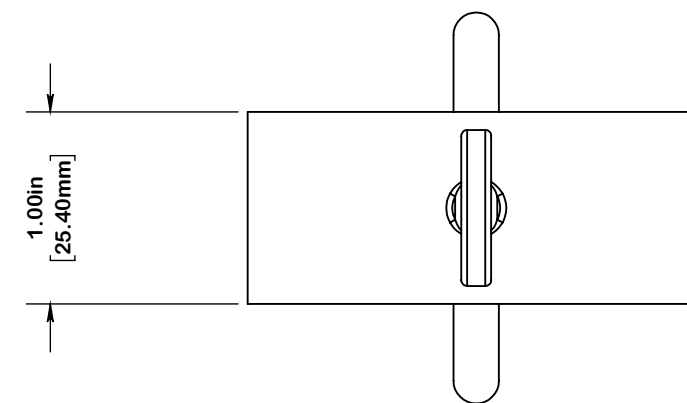
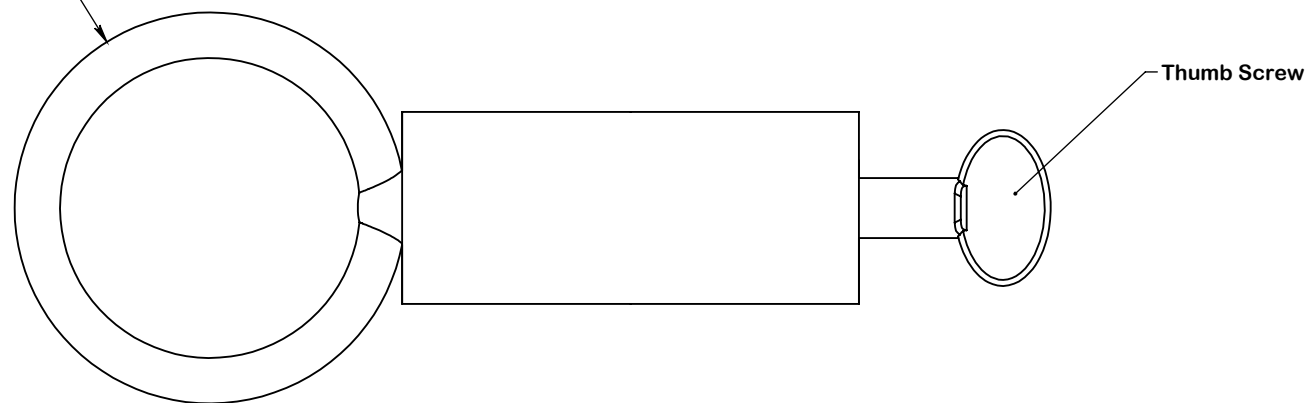


2" Stainless Steel Ring



**SPECTRUM**  
Aquatics

A PLAYCORE Company

7100 Spectrum Lane Missoula, Montana 59808  
800.791.8056 www.spectrumaquatics.com

**ENGINEERING DATA**

PRODUCT:	SLIDING RING 1.9" O.D. -			
MODEL #:	23625-00	CATALOG #:		REVISION: A
MATERIAL:	STAINLESS STEEL			
FINISH #:	PASSIVATE IAW ASTM A967			

NOTE:

**⚠** DIMENSIONS VARY WITH SPECIFIC APPLICATIONS. SPECIFICATIONS ARE NOMINAL AND ARE SUBJECT TO CHANGE. PLEASE CONTACT SPECTRUM AQUATICS FOR CUSTOM APPLICATIONS