

**Stanchion Post**

The stanchion post shall be fabricated of 1.90" O.D. 300 series stainless steel. It shall be either 8'-0" or 4'-6" in length and have a 2" ring M.I.G. welded to its top surface.

**Anchor**

The stanchion post shall be supported by one (1) 6" 300 series stainless steel slip-type anchor or other appropriate stanchion anchor.

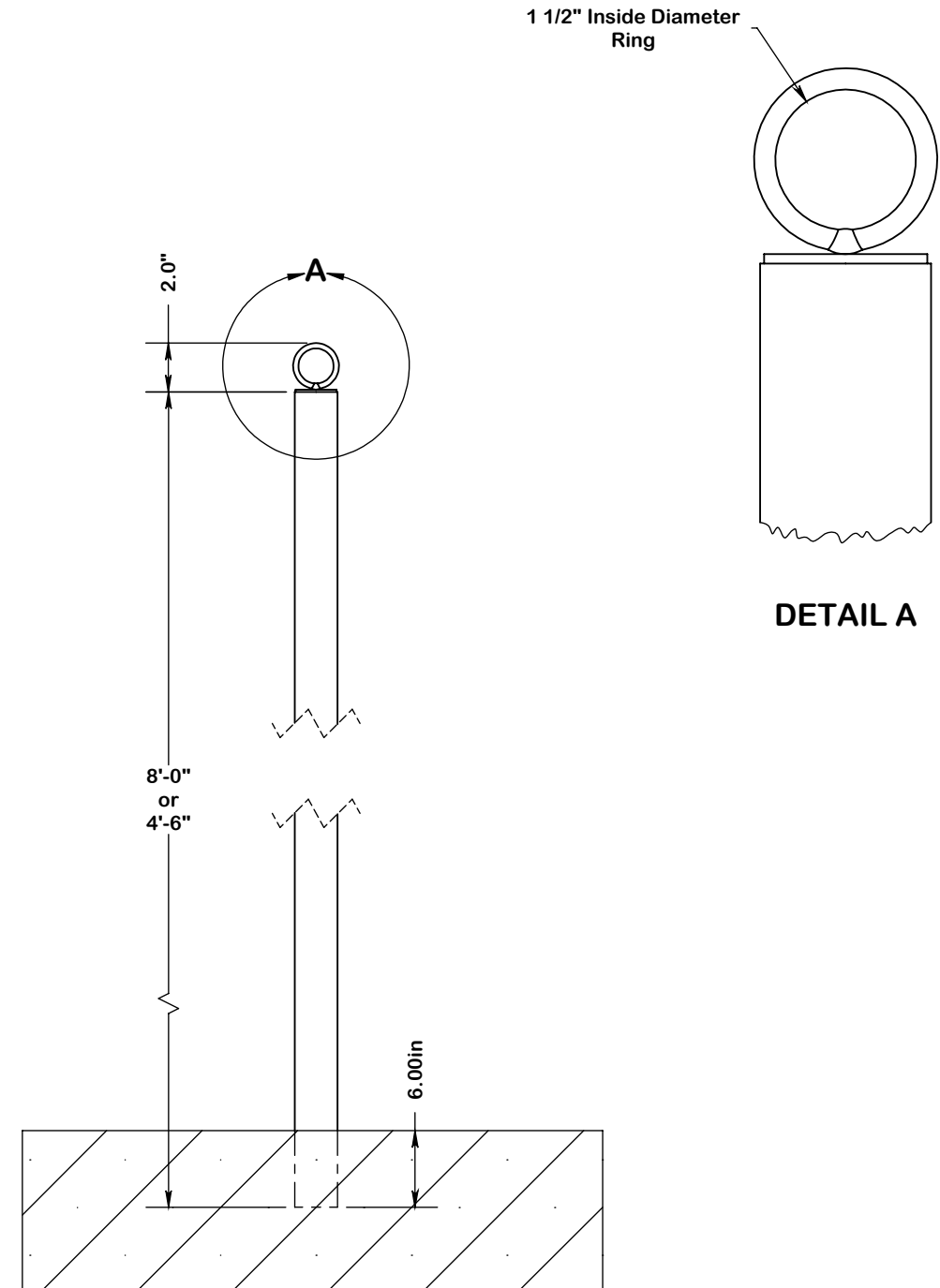
**Sliding Collar**

Optional 300 series stainless steel sliding collar may be supplied with stanchion post. The sliding collar shall have a 2" ring M.I.G. welded to its outer surface and be supplied with a thumb screw for easy adjustment.

**Warranty**

Spectrum standard warranty.

PART NUMBER	HEIGHT	MATERIAL
23612	8'-0"	1.9" X .109" 304L
23614	8'-0"	1.9" X .145" 304L
23622	4'-6"	1.9" X .109" 304L
23624	4'-6"	1.9" X .145" 304L
134043-96-.109	8'-0"	1.9" X .109" 316L
134043-96-.145	8'-0"	1.9" X .145" 316L
134043-54-.109	4'-6"	1.9" X .109" 316L
134043-54-.145	4'-6"	1.9" X .145" 316L



**SPECTRUM**  
Aquatics

A PLAYCORE Company

7100 Spectrum Lane  
800.791.8056

Missoula, Montana 59808  
www.spectrumaquatics.com

*ENGINEERING DATA*

PRODUCT:	STANCHION POST			
MODEL #:	SEE TABLE	CATALOG #:	REVISION:	A
MATERIAL:	SEE TABLE			
FINISH #:	PASSIVATE IAW ASTM A967			

*NOTE:*  
 ⚠ DIMENSIONS VARY WITH SPECIFIC APPLICATIONS. SPECIFICATIONS ARE NOMINAL AND ARE SUBJECT TO CHANGE. PLEASE CONTACT SPECTRUM AQUATICS FOR CUSTOM APPLICATIONS