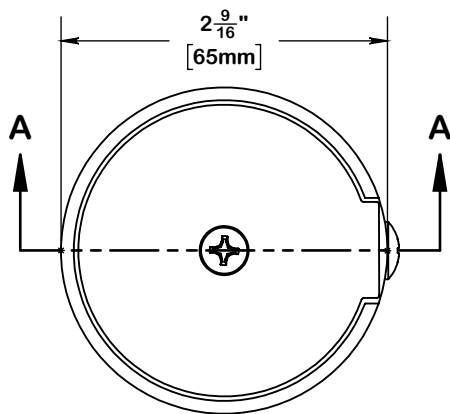


SECTION A-A



BONDING SCREW

NOTE:

⚠ DIMENSIONS VARY WITH SPECIFIC APPLICATIONS. SPECIFICATIONS ARE NOMINAL AND ARE SUBJECT TO CHANGE. PLEASE CONTACT SPECTRUM AQUATICS FOR CUSTOM APPLICATIONS

SPECTRUM
Aquatics

A PLAYCORE Company

7100 Spectrum Lane
Missoula, Montana 59808
800.791.8056

www.spectrumaquatics.com

ENGINEERING DATA

PRODUCT:	BRONZE STANCHION ASSEMBLY -		
MODEL #:	1730012	CATALOG #:	REVISION: A
MATERIAL:	CDA C87500		
FINISH #:	CAST		