

**NOTE:**

Field measurements are required for the product you wish to order. Please provide product accurate measurements to eliminate delays or errors in the design and manufacturing.

\* These dimensions are standard production for Spectrum Aquatics and meet FINA, NCAA, USAS, USMS, and NFHS height requirements. Please contact your Spectrum Aquatics sales representative if you would like to vary these dimensions.

Step side is determined by standing behind your block while facing the pool.

If your deck has a slope, dimension A should be taken from the surface of the water to the level where the starting platform post meets the deck.

\$ Call for additional pricing

SUBMITTED BY: \_\_\_\_\_  
 PRINT SIGNATURE

DATE: \_\_\_\_\_

- REQUEST A FINAL DRAWING
- PROCEED WITH PRODUCTION

**BY SIGNING ANYPLACE ON THIS SUBMITTAL, YOU ARE APPROVING AS IS - NO CHANGES REQUIRED.**

THIS IS YOUR SUBMITTAL. SPECTRUM PRODUCTS HAS MADE EVERY EFFORT TO DESIGN TO YOUR SPECIFICATIONS. PLEASE REVIEW THIS SUBMITTAL THOROUGHLY. SPECTRUM PRODUCTS CANNOT BE RESPONSIBLE FOR ERRORS AFTER THE SUBMITTAL(S) HAS BEEN SIGNED AND APPROVED BY YOU AND/OR YOUR CUSTOMER. **PLEASE INSURE ALL DIMENSIONS ARE ACCURATE AND CORRECT. IT IS THE SOLE RESPONSIBILITY OF THE CUSTOMER TO ENSURE THAT THE PRODUCT MEETS ALL APPLICABLE CODES.**

FRAME  
 DIMENSION A: \_\_\_\_\_ DIMENSION B: \_\_\_\_\_  
 (SETBACK) (WATER DRAFT)

- LEFT STEP (SHOWN)
- RIGHT STEP
- REAR STEP (30" SETBACK MINIMUM)
- 304L STAINLESS STEEL (STANDARD)
- 316L STAINLESS STEEL (\$)
- 304L STAINLESS STEEL - POWDER COATED (\$)

POWDER COLOR: \_\_\_\_\_

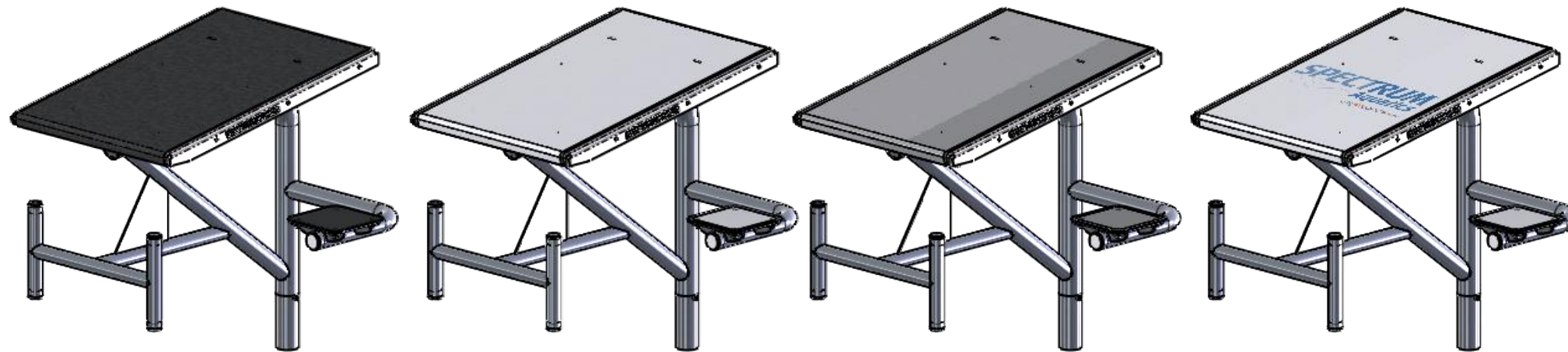
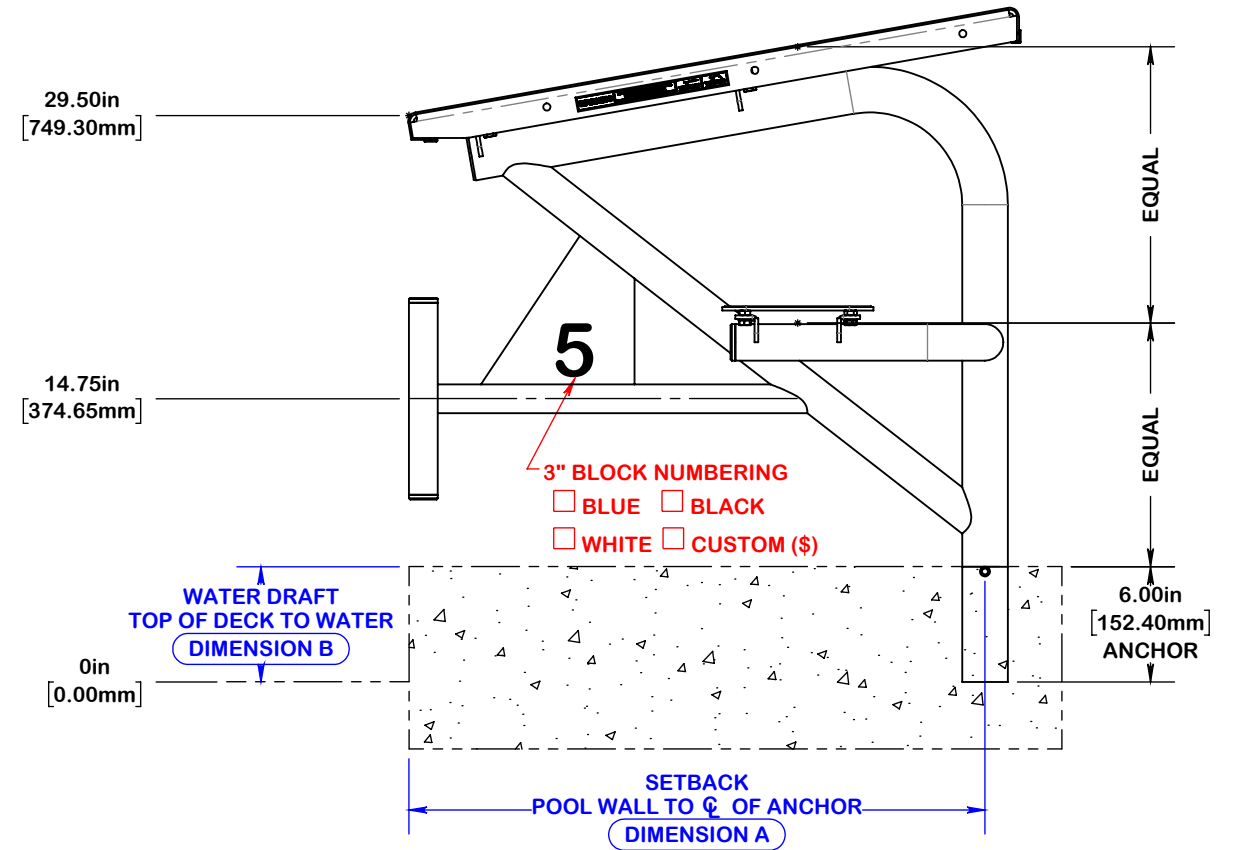
- 316L STAINLESS STEEL - POWDER COATED (\$)

POWDER COLOR: \_\_\_\_\_

- TOP - STEP (COLOR)  
 CHECK OPTION BELOW
- STEP (SIZE)  
 CHECK OPTION BELOW
- NUMBERS  
 CHECK OPTION RIGHT

CUSTOM NUMBER FONT (\$): \_\_\_\_\_ COLOR (\$): \_\_\_\_\_

BLOCK NUMBERING:  
 EXAMPLE 01: #1-6 BLOCK #7 LEFT BLANK  
 EXAMPLE 02: #1-3 LEFT STEP & #4-6 RIGHT STEP

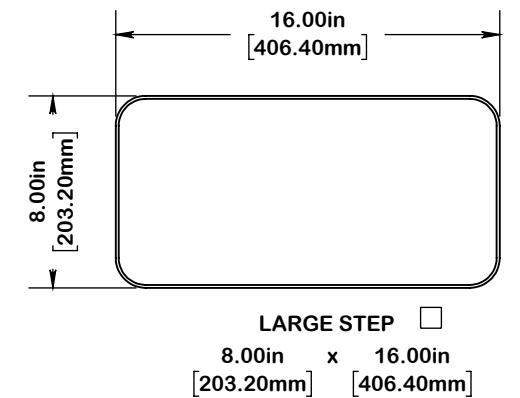
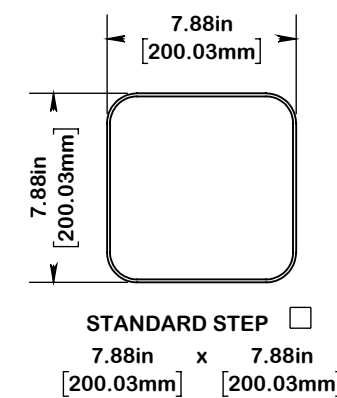


RECORD BREAKER - BLACK

RECORD BREAKER - WHITE (\$)

RECORD BREAKER - GREY (\$)

RECORD BREAKER - LOGO (\$)  
 PLEASE PROVIDE LOGO OR COLOR



7100 Spectrum Lane Missoula, Montana 59808  
 800.791.8056 www.spectrumaquatics.com

A PLAYCORE Company

**ENGINEERING DATA**

PRODUCT:	RECORD BREAKER - SP - 30.00 SETBACK 6.00 W.D.			
MODEL #:	57283	CATALOG #:	57283	REVISION: A
MATERIAL:	304L STAINLESS STEEL			
FINISH #:	PASSIVATE IAW ASTM A967			

**NOTE:**

**△ DIMENSIONS VARY WITH SPECIFIC APPLICATIONS. SPECIFICATIONS ARE NOMINAL, AND ARE SUBJECT TO CHANGE. PLEASE CONTACT SPECTRUM AQUATICS FOR CUSTOM APPLICATIONS**

SPECIAL REQUESTS: