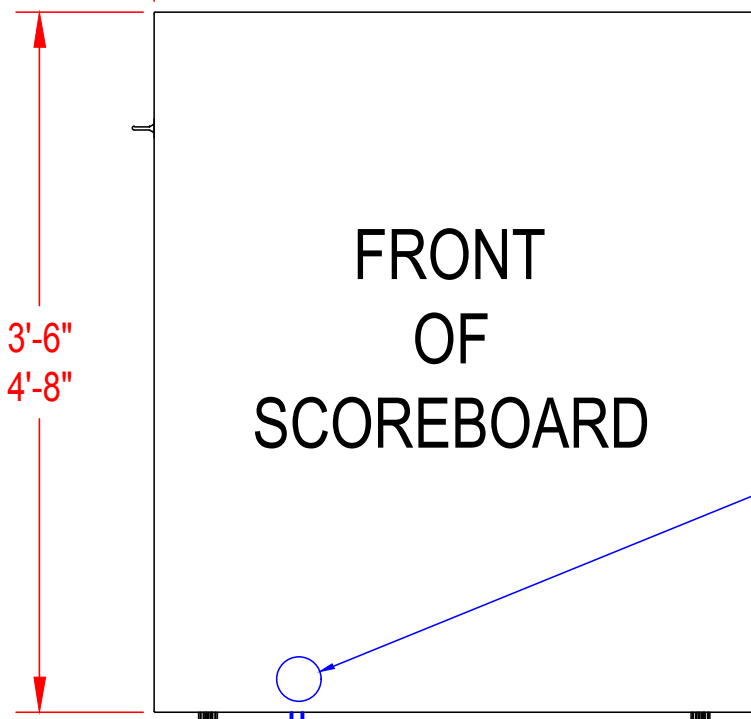


4'-0"



FRONT OF SCOREBOARD

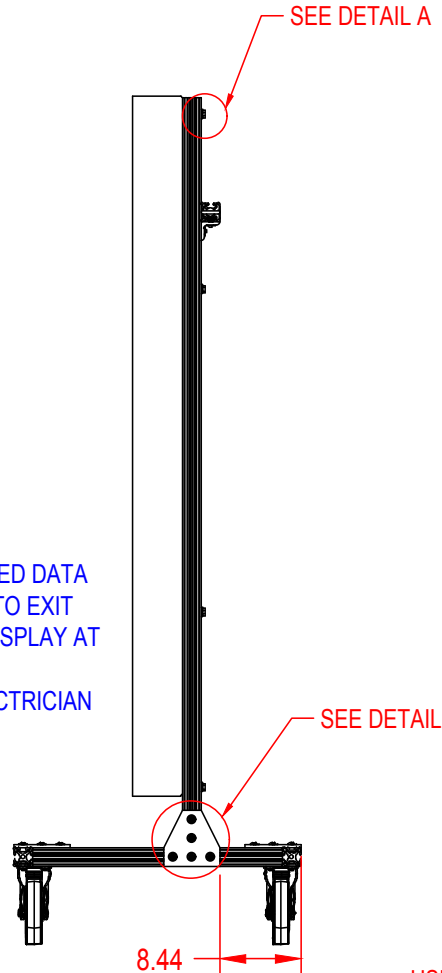
3'-6"
4'-8"

POWER CORD & WIRED DATA CAN BE REROUTED TO EXIT THE REAR OF THE DISPLAY AT THIS LOCATION BY A CERTIFIED ELECTRICIAN

14' POWER CORD TO 5-15R OUTLET

OPTIONAL SCOREBOARD DATA CABLE- MUST BE ORDERED SEPARATELY

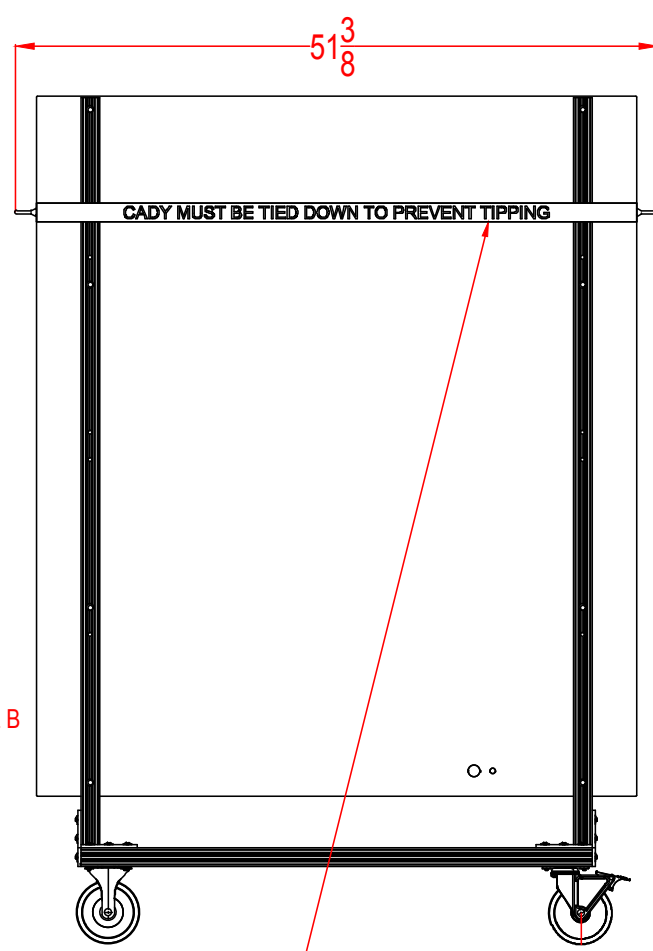
3



8.44

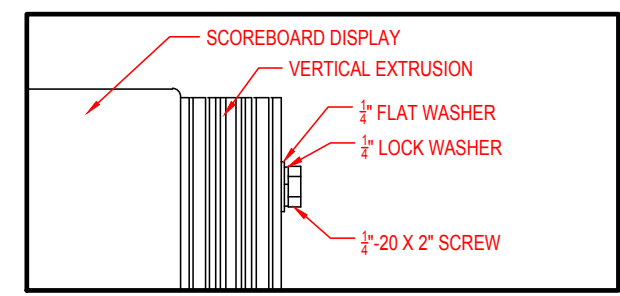
USE TIE-DOWN BAR AND EYE BOLTS TO SECURE CADDY

2



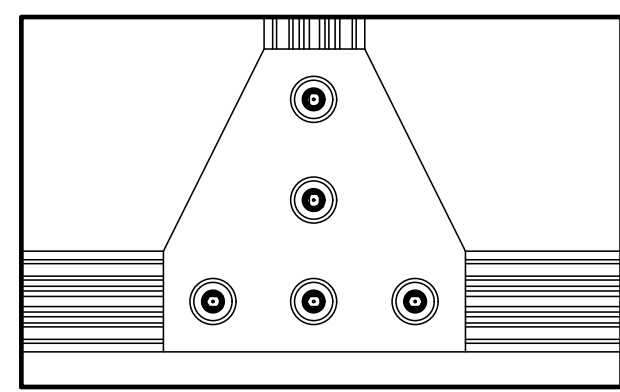
INSTALLATION PROCEDURE:

1. ATTACH VERTICAL EXTRUSION PIECES TO SCOREBOARD USING THREADED INSERTS AND 1/4" HARDWARE



DETAIL A
EXTRUSION-SCOREBOARD ATTACHMENT
4 LOCATIONS PER EXTRUSION
8 LOCATIONS TOTAL

2. SECURE VERTICAL EXTRUSION PIECES TO BASE OF CADDY USING INCLUDED PLATE AND HARWARE



DETAIL B
EXTRUSION-CADDY ATTACHMENT
2 LOCATIONS

NOTES:

- THE DISPLAY IS EQUIPPED WITH A 14' POWER CABLE WITH A NEMA 5-15R PLUG. NOTE THE EXIT LOCATION IS ON THE BOTTOM OF THE DISPLAY. THIS CABLE IS ONLY TO BE USED IN EITHER INDOOR APPLICATIONS OR OUTDOOR APPLICATIONS IN CONJUNCTION WITH AN OUTDOOR RATED RECEPTACLE. POWER CABLE CAN BE REROUTED TO EXIT THE REAR OF THE DISPLAY BY A CERTIFIED ELECTRICIAN.
- THIS SIGN IS INTENDED TO BE INSTALLED IN ACCORDANCE WITH THE REQUIREMENTS OF ARTICLE 600 OF THE NATIONAL ELECTRIC CODE AND/OR OTHER APPLICABLE CODES. THIS INCLUDES PROPER GROUNDING AND BONDING OF THE SCOREBOARD
- DO NOT USE IN WIND APPLICATIONS

A	INITIAL RELEASE	2019/06/07	VB
REV	DESCRIPTION	DATE	APP

THE INFORMATION ON THIS DRAWING IS SUBJECT TO CHANGE WITHOUT NOTICE

WWW.COLORADOTIME.COM

THIRD ANGLE PROJECTION

TRADE SECRET

The information and data contained herein is secret and is submitted in confidence, and shall not be disclosed, used, or duplicated for any purpose whatsoever without the prior written permission of Colorado Time Systems, Inc., 1551 E. 11th Street, Loveland Colorado, 80537. This legend shall be marked on any reproduction hereof in whole or in part. Receipt of this document shall be deemed to be an acceptance of the conditions specified herein.

DIMENSIONS ARE REPRESENTED AS FOLLOWS: INCH [MM]

TOLERANCES EXCEPT AS NOTED	
INCHES	MM
X ± 0.02	X ±
ANGLES ± 1	
DO NOT SCALE THIS DRAWING	
SCALE	SHEET 1 OF 2
NTS	

DRAWN BY	DATE
V. BEDNARSKI	2019/06/07
ENG. APPROVAL	DATE
PROJECT ENG.	DATE

TITLE
5" MULTI-LINE
CADDY MINI-4 MOUNT
INSTALL DETAILS

1551 E. 11th. St.
Loveland, CO 80537
P: (970) 667-1000
F: (970) 667-5876
WWW.COLORADOTIME.COM

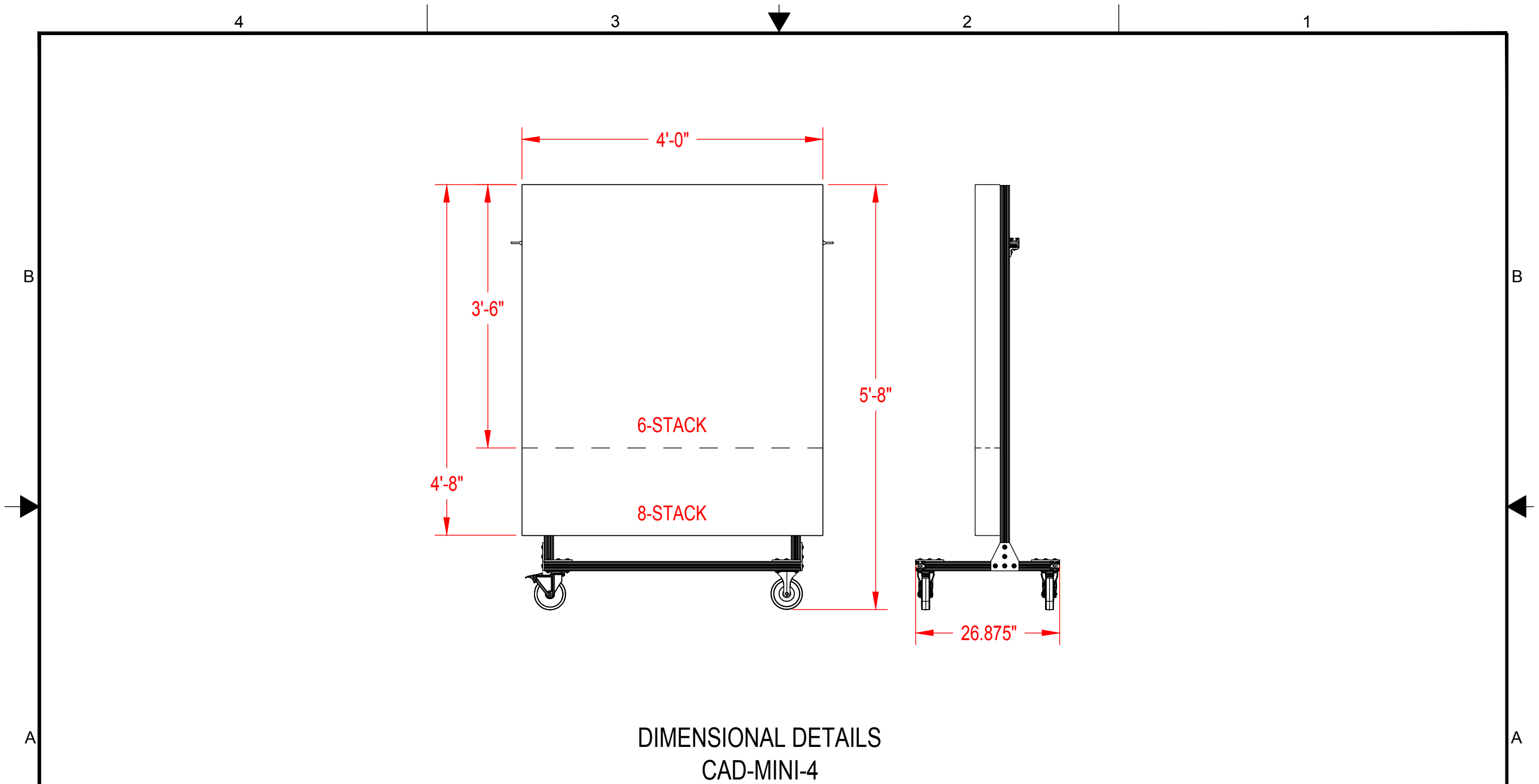
SIZE	DRAWING NUMBER	REV.
B	S2019-001-001	A

4

3

2

1



THE INFORMATION ON THIS DRAWING IS SUBJECT TO CHANGE WITHOUT NOTICE

WWW.COLORADOTIME.COM

REVISIONS		DIMENSIONS ARE REPRESENTED AS FOLLOWS: INCH [MM]		DRAWN BY V. BEDNARSKI	DATE 2019/06/07	Colorado TIME SYSTEMS.	1551 E. 11th. St. Loveland, CO 80537 P: (970) 667-1000 F: (970) 667-5876 WWW.COLORADOTIME.COM
THIRD ANGLE PROJECTION	TRADE SECRET	TOLERANCES EXCEPT AS NOTED		ENG. APPROVAL	DATE		
The information and data contained herein is secret and is submitted in confidence, and shall not be disclosed, used, or duplicated for any purpose whatsoever without the prior written permission of Colorado Time Systems, Inc., 1551 E. 11th Street, Loveland Colorado, 80537. This legend shall be marked on any reproduction hereof in whole or in part. Receipt of this document shall be deemed to be an acceptance of the conditions specified herein.		INCHES	MM	PROJECT ENG.		DATE	DRAWING NUMBER S2014-001-001
		X ± 0.02	X ±	DO NOT SCALE THIS DRAWING		SHEET 2 OF 2	REV. A
		SCALE NTS					

4

3

2

1