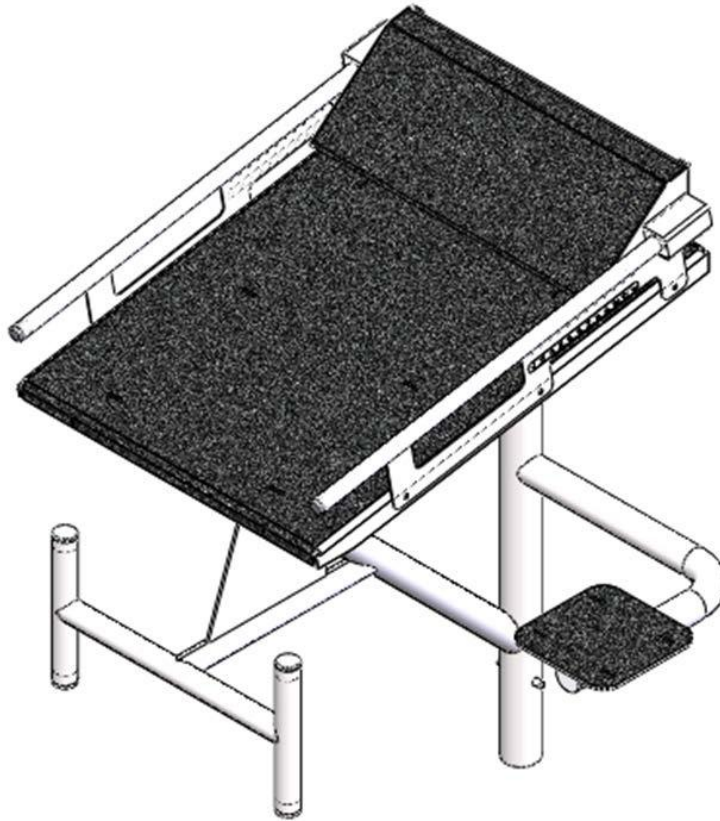


Xcellerator™

Part Number 57282



SPECTRUM[®]
Aquatics
A **PLAYCORE** Company

7100 Spectrum Lane ~ Missoula MT 59808
800.791.8056 ~ www.spectrumproducts.com

You have purchased a Spectrum Products Xcellerator starting platform. Providing the unit is installed correctly and properly maintained, it will furnish you with many years of trouble-free use. It is important to read this entire manual prior to beginning assembly or operation.

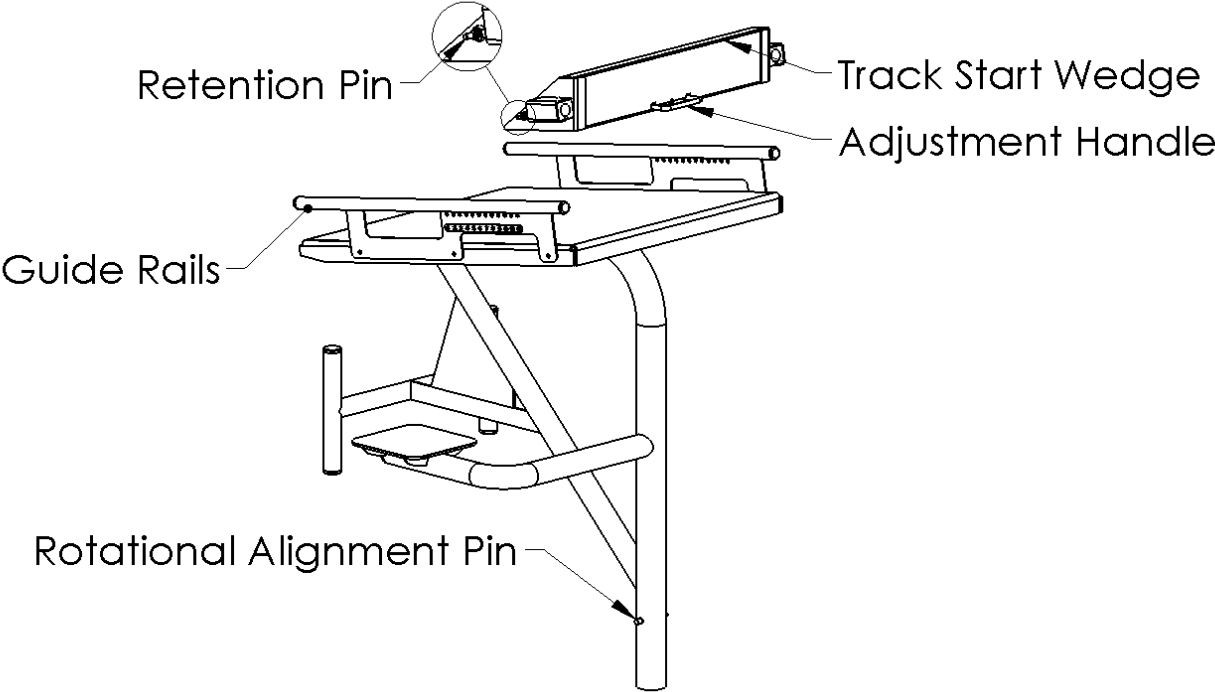
Shipping Information:

Each Xcellerator platform frame should arrive assembled on a pallet. Each platform top will be packaged separately. Before accepting the shipment from the carrier, inspect for visible damage and match the contents with those listed below. Spectrum is not responsible for lost or damaged freight.

The pallet will contain all structural components and hardware. The following is a list of the components included with your shipment from Spectrum.

1	Xcellerator Platform Frame	1	Platform Top Assembly Package
---	----------------------------	---	-------------------------------

Components and Hardware



Installation Overview

Read all instructions before attempting to assemble or install your Xcellerator starting platform.

Anchor Placement

The measuring guide will aid the installer in determining the proper location of the starting platform on the swimming pool deck. The guide will also provide Spectrum with the information needed to design the starting platform specifically for the customer's pool. Spectrum starting platforms are custom engineered to comply with the regulations of FINA, FR 2.7, USS regulations 103.11.1-6, and NCAA Article 7. It is important that accurate measurements be provided by the project architect/consultant and/or the installer, to assure that the installation of the platform will comply with the foregoing regulations.

NOTE: If platforms are being ordered before pool construction, architectural drawings and specifications will be used for the deck to water level dimensions.

CAUTION: Xcellerator starting platforms should not be installed on swimming pools with water depth less than 4 feet.

The anchor setback distance will need to be determined first. The anchor setback is the distance from the pool wall to the centerline of the anchor. When determining anchor location, architectural specifications take precedence over all other dimensional requirements. If no specifications are given, Spectrum recommends a setback of 30 inches. If a different anchor location is desired, the anchor setback distance can be between 18-35 inches. Any anchor location in this range is acceptable. Anchors should not be placed within 6 inches of obstructions such as expansion joints, seams or cracks in the concrete.

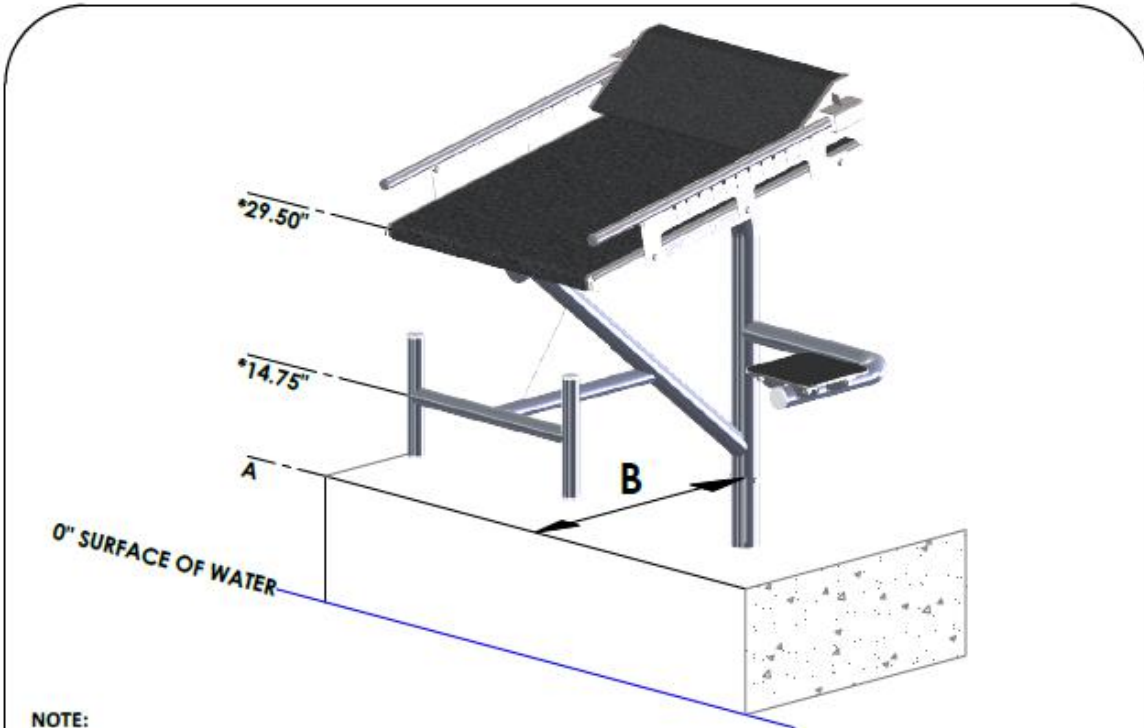
Measuring the Deck-to-Water Profile

Tools Needed:

- 1) Tape measure
- 2) Carpenter's level (At least 3' long)

IMPORTANT: If installing multiple starting platforms on a swimming pool facility, it is imperative that all anchors be installed at the same elevation. It is, therefore, important that the installer determines the highest point of the swimming pool deck and obtains all measurements from that point.

Fill out the deck-to-water profile diagram included. Use the carpenter's level and tape measure to obtain accurate measurements. See Figure 1. The dimension "A" indicates the distance from the bottom of the carpenter's level to the water surface. The dimension "B" indicates the desired setback.



NOTE:

Field measurements are required for the product you wish to order. Please provide product accurate measurements to eliminate delays or errors in the design and manufacturing.


* These dimensions are standard production for Spectrum Aquatics and meet FINA, NCAA, USAS, USMS, and NFHS height requirements. Please contact your Spectrum Aquatics sales representative if you would like to vary these dimensions.

Step side is determined by standing behind your block while facing the pool.

If your deck has a slope, dimension A should be taken from the surface of the water to the level where the starting platform post meets the deck.

§ Call for additional pricing

FRAME DESIGN		BLOCK COLOR OPTIONS				
(A) WATERDRAFT - TOP OF DECK TO SURFACE OF WATER			BLACK (STANDARD)	§ WHITE	§ GRAY	§ CUSTOM LOGO/COLOR
(B) SETBACK - POOL WALL TO CENTER OF ANCHOR		TOP				
LEFT STEP (SHOWN)		STEP				
RIGHT STEP		WEDGE				
§ OPTIONAL POWDER COATING		BLOCK NUMBERING	BLUE	BLACK	WHITE	§ CUSTOM FONT/COLOR
POWDER COAT COLOR:		HOW WILL THEY BE #D				

<h1>A</h1>	XCELLERATOR MG Thursday, March 17, 2016 2:03:51 PM SHEET 1 OF 1  <small>A PLAYCORE Company</small>	Submitted By: _____ Signature: _____ Date: _____
------------	---	--

7100 Spectrum Lane Missoula, Montana 59808 800.791.8056 www.spectrumproducts.com

New Construction Anchor Installation

- a. Place the anchor in the desired location following previous guidelines.
- b. Locate a bonding source to bond (ground) the anchor. The steel rebar-bonding grid of the pool deck is the best choice for bonding the anchor. Attach a No. 8 solid copper wire (NEC Section 680-22) from the bonding bolt on the base of the anchor to the bonding grid.
- c. Secure anchor in place – proper height – anchor may be cemented in place. Set the anchor so that the finished top is 1/8” to 1/4” below finished deck level – allowing for anchor cap to be put in place when the platform is not in use.
- d. Use the carpenter’s level to level the anchor making sure the Xcellerator mast will be vertically straight up and down (perpendicular to the deck) in all directions. It is important that the mast is vertically straight to ensure proper platform functionality.
- e. Place tape over the anchor hole before pouring concrete deck to prevent concrete from entering the anchor opening.
- f. Pour concrete deck and finish.

Allow the concrete to cure for at least seven days before installing and using the platform.

Existing Facility Anchor Installation

- a. From the center of the desired anchor location, using a marking pen or chalk, mark a 12” x 12” square. This is the concrete to be removed to accommodate the installation of the lift’s anchor. It is recommended that the anchor is located at least 6” from any expansion joint, crack, drain or similar structure in the concrete deck.
- b. Use a concrete cutting saw; cut the 12” x 12” square out of the existing concrete deck. Using a heavy/sledgehammer to break the cut section of concrete and remove from the deck. See Figure 2.

Note: If the concrete deck is less than 6” thick, dig out the bottom of the hole to 8” or deeper below the deck surface.

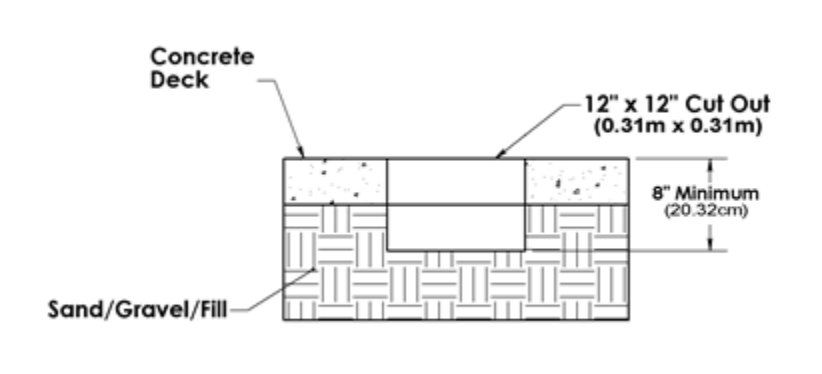


Figure 2

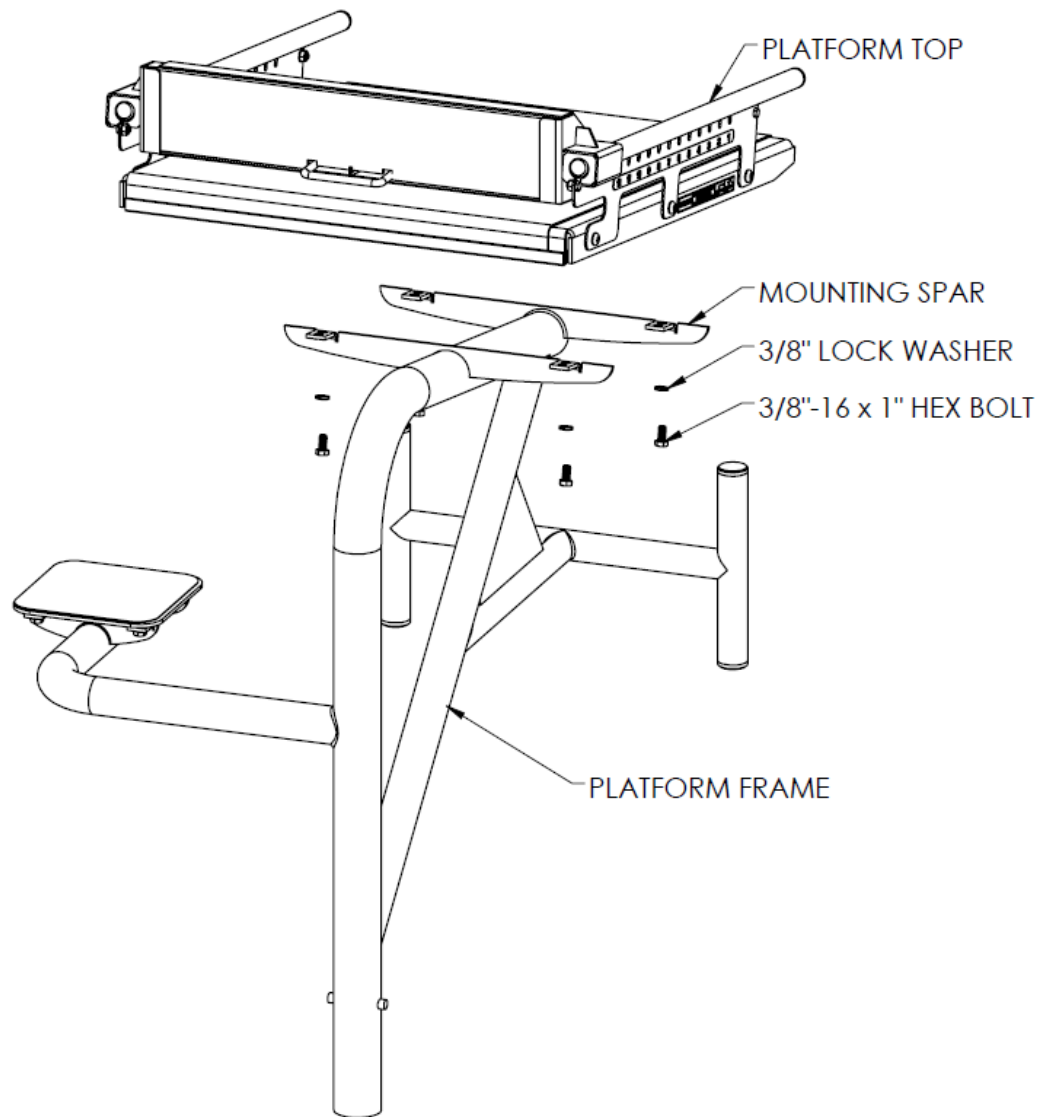
- c. Locate a bonding source to bond (ground) the anchor. The steel rebar-bonding grid of the pool deck is the best choice for bonding the anchor. Attach a No. 8 solid copper wire (NEC Section 680-22) from the bonding bolt on the base of the anchor to the bonding grid.

Note: If the concrete deck is 8" thick or more, an alternative anchor installation method may be used. In lieu of cutting the concrete deck with a saw, a concrete core drill may be employed to cut a 4" diameter hole at the desired anchor installation location. Epoxy or hydraulic cement may be used to secure the anchor in place. Make sure the anchor is properly bonded.

- d. Secure anchor in place – proper height – anchor may be cemented in place. Set the anchor so that the finished top is 1/8" to 1/4" below finished deck level – allowing for anchor cap to be put in place when the platform is not in use.
- e. Use the carpenter's level to level the anchor making sure the Xcellerator mast will be vertically straight up and down (perpendicular to the deck) in all directions. It is important that the mast is vertically straight to ensure proper platform functionality.
- f. Place tape over the anchor hole before pouring concrete deck to prevent concrete from entering the anchor opening.
- g. Pour concrete deck and finish.

Allow the concrete to cure for at least seven days before installing and using the platform.

Assembly Instruction



The Xcellerator platform ships partially assembled. The platform top will ship fully assembled in a box attached to the pallet containing the platform frame. Attachment of the platform tops will require two tools, a 9/16" wrench or socket and a non-marring plastic mallet. To install the platform top, place the platform frame in an anchor socket and position the platform top over the mounting spars. Secure at least (2) of the mounting points using the included 3/8"-16x1" hex cap bolts and lock washers. At this point, it may be necessary to adjust the mounting spars using a non-marring mallet to achieve alignment of the remaining mounting locations. Once all locations are secured with the included hardware, tighten all bolts. It is advisable to use an anti-seize coating when installing stainless steel hardware.

Operator's Guide

Install Starting Platforms

!Caution! Starting platforms are heavy; use caution when moving or lifting especially near pool edges.

!Caution! Ensure retention pins are secured in the guide rail alignment slots before use. Failing to do so may result in damage to the starting platform/wedge and/or injury.

Remove the anchor lid. Slide the Xcellerator starting platform support post into the anchor, making sure that the rotation alignment rod is aligned with the retention slots in the anchor. The support post should rest on the bottom of the anchor, while the rotational alignment rod should fit tightly into the retention slot. Step up onto the platform top and bounce forward, back and side-to-side to test for stability on the platform.

The track start wedge may be moved by pulling firmly on the adjustment handle. Numbered locking positions are provided to ensure all track start wedges are in the same position on all platforms.

Removing the Xcellerator Starting Platform

Using the support post as a grip, pull the platform straight up and out of the anchor. As the alignment pins move past the top of the anchor, it is often beneficial to rotate the block to aid removal. Once the platform is free of the anchor the cap may be replaced. Platform removal is safer and easier when performed as a team.

Note: Removal will become less difficult after the block and anchor progress through a break-in period.

Care and Maintenance

The following should be performed periodically to ensure safe and dependable use.

1. Remove any discoloration with a 3M scratch pad (stainless steel components only). Wipe clean with a sponge dampened with Spectra-Clean. Repeat these steps several times to passivate the stainless steel. Maintenance kits are available from Spectrum (Part Number 152155). Do not spray with high-pressure water, only clean with non-chlorinated water.
2. Check all mechanical connections – inspect fasteners and make sure they are secure.

Troubleshooting

Problem	Cause	Solution
Track start wedge won't move or won't stay in place:	Faulty retention pins	Replace retention pins
Nonslip surface becomes worn:		Contact distributor or Spectrum Products

Please contact your local distributor or Spectrum Customer Service to order parts 406.532.6321