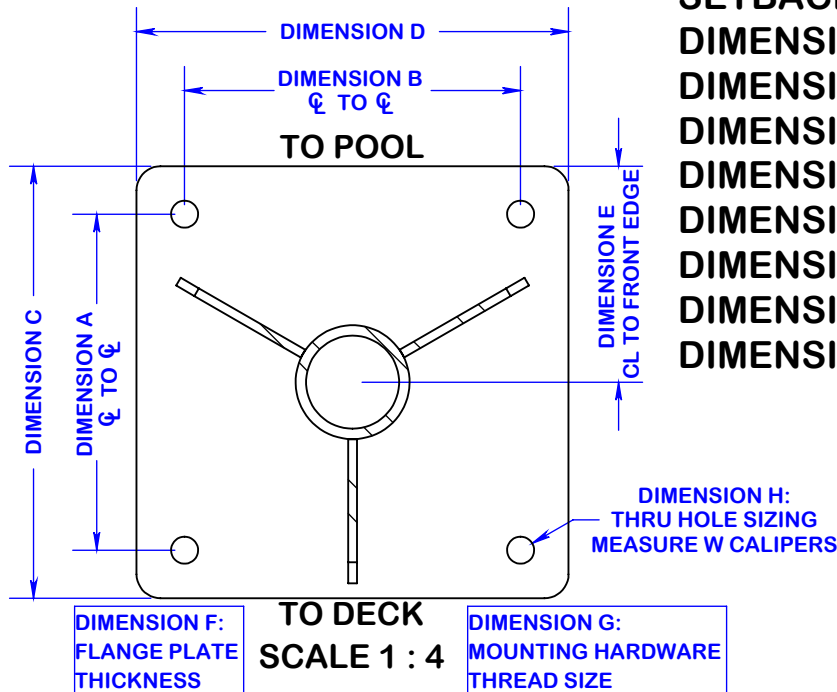
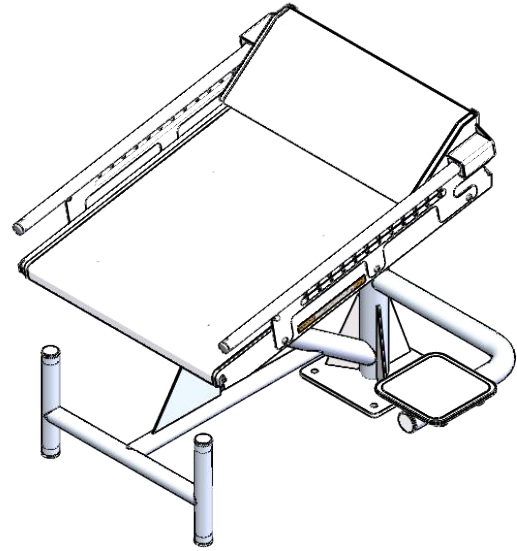
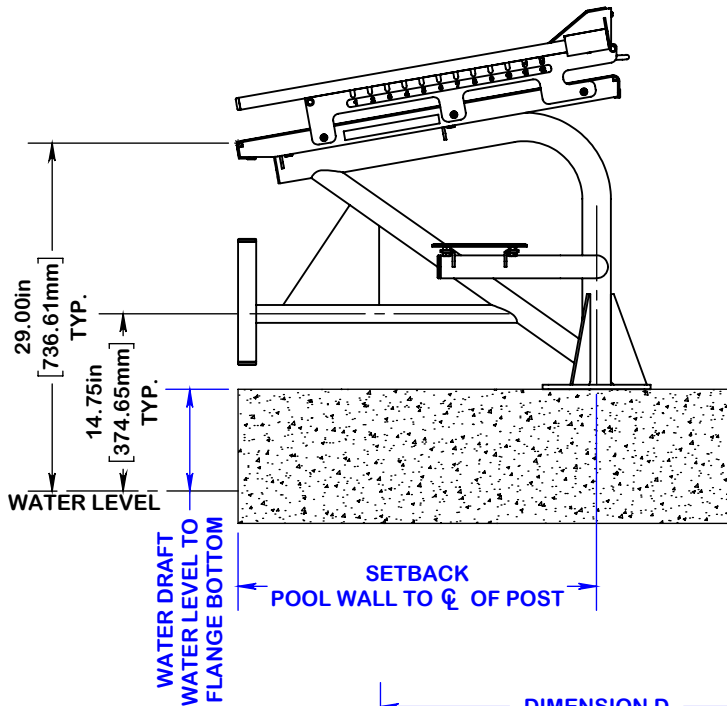


CUSTOM FLANGE MOUNT MEASURING GUIDE



- WATER DRAFT: _____
 SETBACK: _____
 DIMENSION A: _____
 DIMENSION B: _____
 DIMENSION C: _____
 DIMENSION D: _____
 DIMENSION E: _____
 DIMENSION F: _____
 DIMENSION G: _____
 DIMENSION H: _____

NOTE:

⚠ DIMENSIONS VARY WITH SPECIFIC APPLICATIONS. SPECIFICATIONS ARE NOMINAL AND ARE SUBJECT TO CHANGE. PLEASE CONTACT SPECTRUM AQUATICS FOR CUSTOM APPLICATIONS

SPECTRUM
 Aquatics

A PLAYCORE Company

7100 Spectrum Lane
 Missoula, Montana 59808
 800.791.8056

www.spectrumaquatics.com

ENGINEERING DATA

PRODUCT:	XCELLERATOR/RECORD BREAKER FLANGE GUIDE		
MODEL #:	NA	CATALOG #:	57282
MATERIAL:	304L STAINLESS STEEL		
FINISH #:	NA		
REVISION:	A		